

INTRODUCTION:

Adam Tech's RFC series RF connectors are a comprehensive assortment of Radio Frequency signal connectors in standard, miniature, sub-miniature, micro miniature and surface mount style. Included are our BNC, TNC, FME, FMA, SMA, SMB, N, F, PAL, UHF, Mini-UHF, MCX, MMCX and 1.6/5.6 coupling versions. Each has standard interfaces and are of a strong lightweight design. Most are ideal for applications where size and weight are important in densely populated applications. All afford excellent RF characteristics

FEATURES:

- DC to 50 GHz versions
- Plating Options
- Insulator options
- Impedance options
- Mating options
- PCB, Bulkhead and Cable versions

MATING CONNECTORS:

Adam Tech RF series connectors and all industry Standard RF connectors

SPECIFICATIONS:

Material:

- Housing: Brass, Nickel plated
Zinc diecast, Nickel plated
- Standard Insulators: Delrin, Polypropylene or Teflon
- Optional Hi-Temp Insulator: Teflon
- Contacts: Beryllium copper, Gold plated

Electrical:

- Operating voltage: 150V AC max.
- Contact resistance: 5 mΩ max. initial
- Impedance: 50 or 75 ohms
- Insulation resistance: 5000 MΩ min.
- Dielectric withstanding voltage: 1000V AC for 1 minute
- VSWR: 1.2 max
- Frequency range: 0 – 6 GHZ

Mechanical:

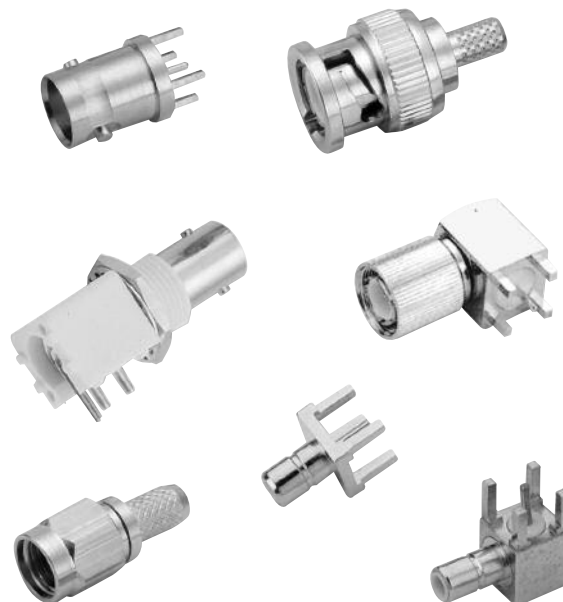
- Engagement force: 4.5 lbs max
- Disengagement force: 2 lbs min
- Cable retention: equal to breaking strength of cable employed
- Durability: 500 cycles

Temperature Rating:

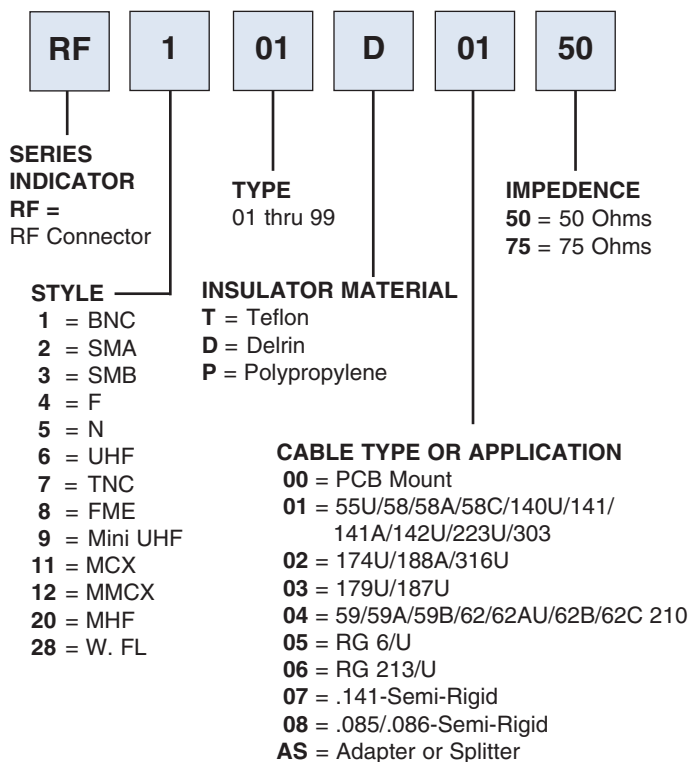
- Operating temperature: -65°C to +165°C
- Soldering process temperature:
Standard insulator: 235°C
Hi-Temp insulator: 260°C

PACKAGING:

Anti-ESD plastic trays or bags



ORDERING INFORMATION



OPTIONS:

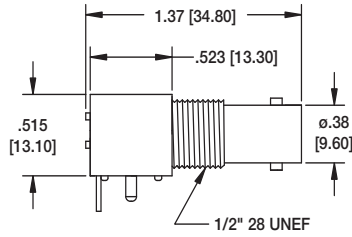
- Add as suffix to basic part no.
- HT = Hi-Temp insulator for hi-temp soldering processes up to 260°C
- G = Gold plated body and contact



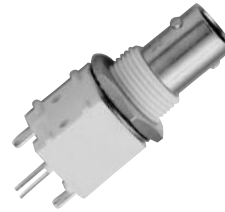
RF1 TYPE 01
BNC RIGHT ANGLE FEMALE PCB MOUNT



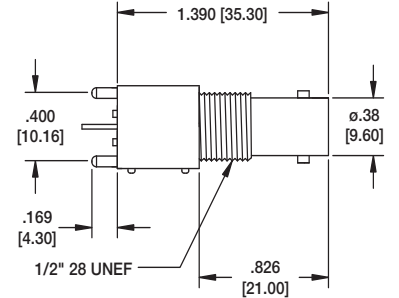
RF1-01-P-00-50



RF1 TYPE 01V
BNC STRAIGHT FEMALE PCB MOUNT



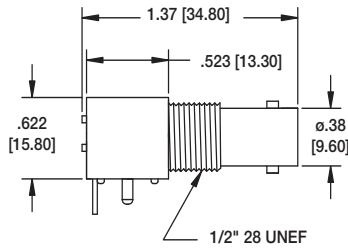
RF1-01V-P-00-75



RF1 TYPE 01A
BNC HIGH PROFILE RIGHT ANGLE FEMALE PCB MOUNT



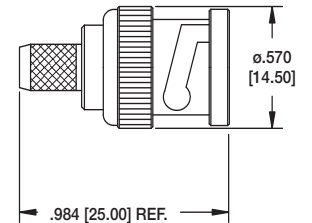
RF1-01A-P-00-50



RF1 TYPE 03
BNC MALE CRIMP



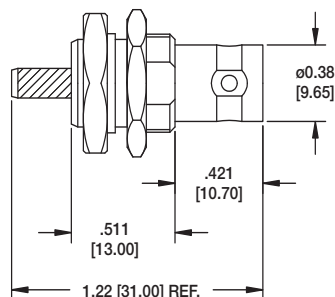
RF1-03-D-05-75



RF1 TYPE 04
BNC FEMALE BULKHEAD CRIMP



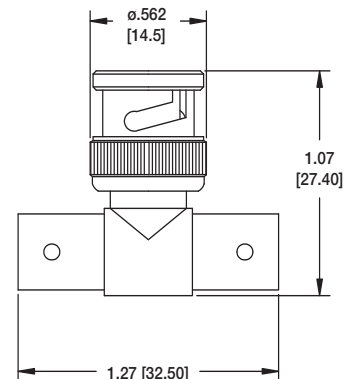
RF1-04-T-01-75



RF1 TYPE 05
BNC MALE TO BNC DOUBLE FEMALE



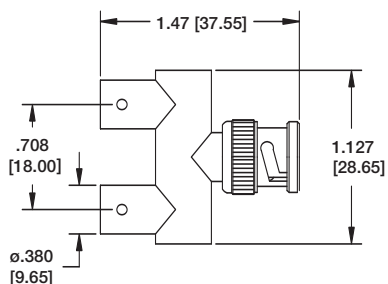
RF1-05-D-AS-75



RF1 TYPE 06
BNC MALE "Y" ADAPTER



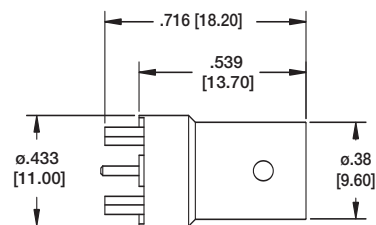
RF1-06-D-AS-50



RF1 TYPE 07
BNC FEMALE PC BOARD MOUNT



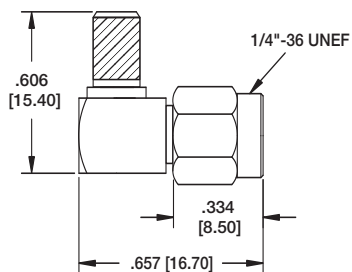
RF1-07-T-00-75



RF2 TYPE 01
SMA RIGHT ANGLE MALE CRIMP TYPE



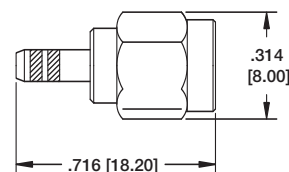
RF2-01-T-02-50



RF2 TYPE 02
SMA MALE CRIMP TYPE



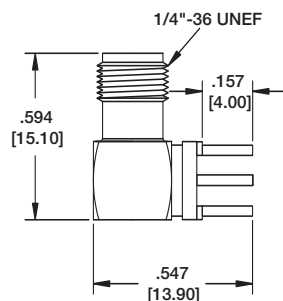
RF2-02-T-02-50-G



RF2 TYPE 03
SMA RIGHT ANGLE FEMALE PC BOARD MOUNT



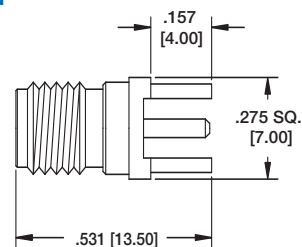
RF2-03-T-00-50-G



RF2 TYPE 04
SMA FEMALE PC BOARD MOUNT



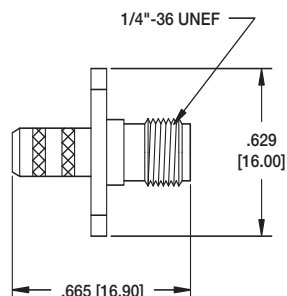
RF2-04-T-00-50-G



RF2 TYPE 05
SMA FEMALE CHASSIS CRIMP



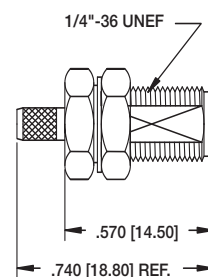
RF2-05-T-00-50-G



RF2 TYPE 06
SMA FEMALE BULKHEAD CRIMP



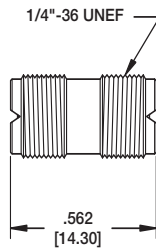
RF2-06-T-02-50



RF2 TYPE 07
SMA DOUBLE FEMALE ADAPTOR



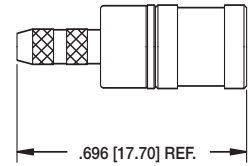
RF2-07-T-AS-50



RF3 TYPE 01
SMB MALE CRIMP



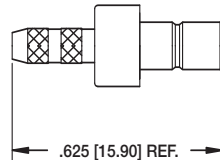
RF3-01-T-01-50-G



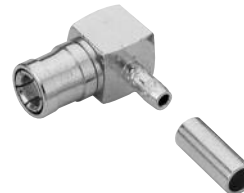
RF3 TYPE 02
SMB FEMALE CRIMP



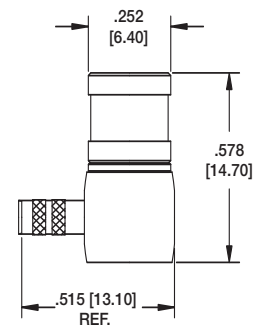
RF3-02-T-01-50-G



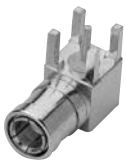
RF3 TYPE 03
SMB MALE RIGHT ANGLE CRIMP



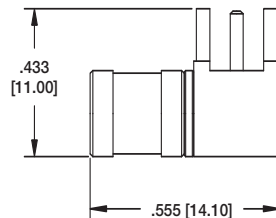
RF3-03-T-03-75-G



RF3 TYPE 04
SMB RIGHT ANGLE MALE PCB MOUNT



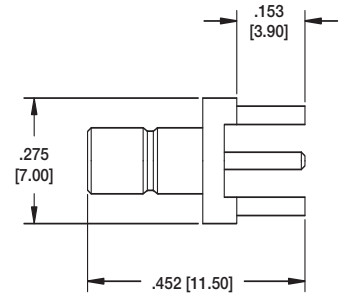
RF3-04-T-00-50-G



RF3 TYPE 05
SMB FEMALE PCB MOUNT



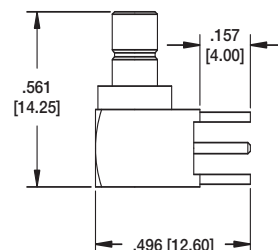
RF3-05-T-00-50-G



RF3 TYPE 06
SMB RIGHT ANGLE FEMALE PCB MOUNT



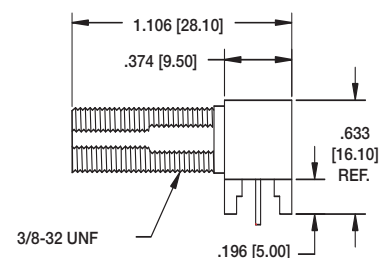
RF3-06-T-00-50-G



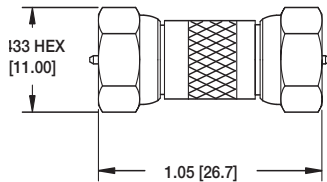
RF4 TYPE 01
F FEMALE RIGHT ANGLE PCB MOUNT



RF4-01-T-00-75

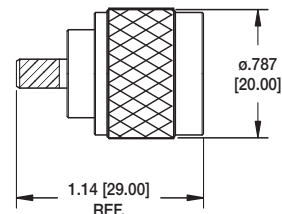


RF4 TYPE 02
F MALE TO MALE



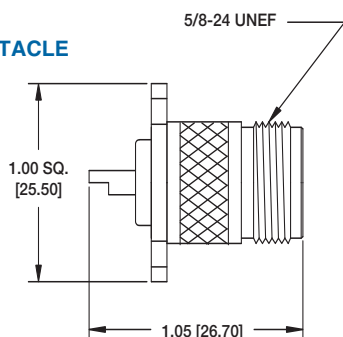
RF4-02-T-AS-75

RF5 TYPE 01
N MALE CRIMP TYPE



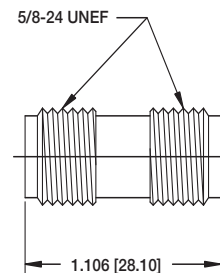
RF5-01-D-01-50

RF5 TYPE 02
N FEMALE PANEL RECEPTACLE



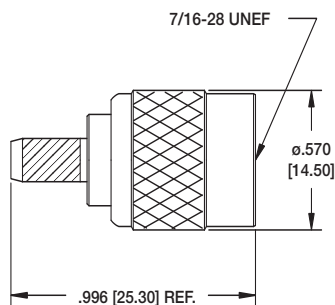
RF5-02-D-01-50

RF6 TYPE 01
UHF DOUBLE FEMALE



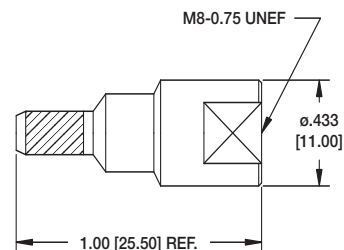
RF6-01-D-AS-50

RF7 TYPE 01
TNC MALE CRIMP



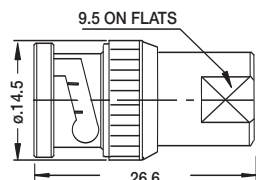
RF7-01-D-02-50

RF8 TYPE 01
FME MALE CRIMP



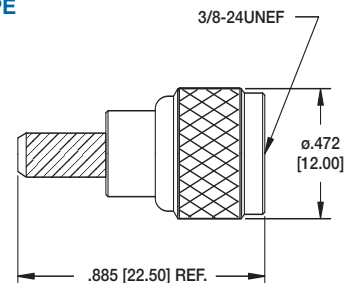
RF8-01-T-01-50-G

RF8 TYPE 02
FME MALE TO BNC MALE


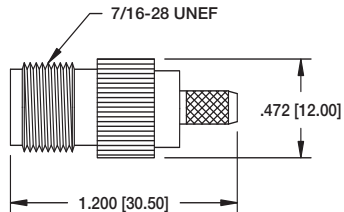

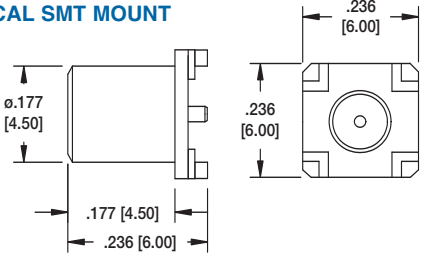
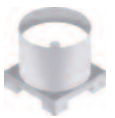
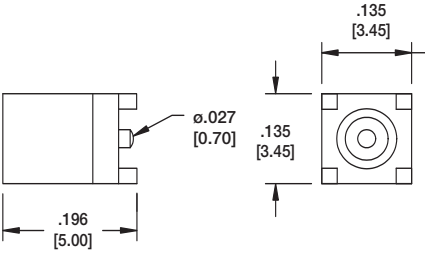

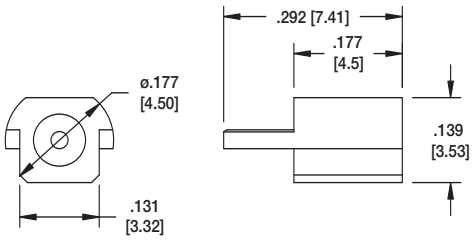
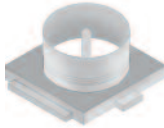
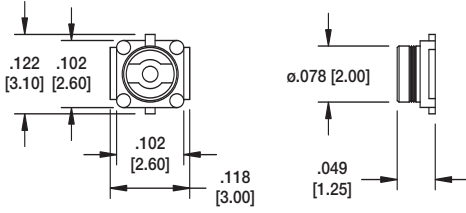

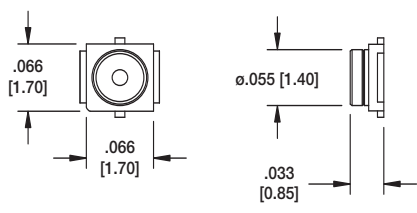

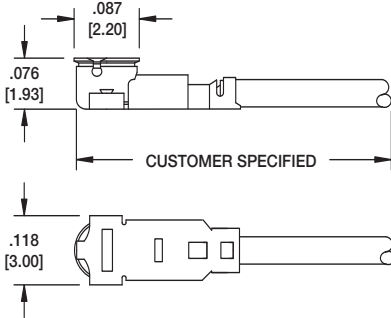

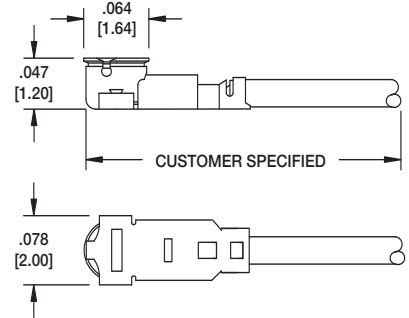


RF8-02-T-AS-50

RF9 TYPE 01
MINI UHF MALE CRIMP TYPE



RF9-01-D-02-50

<p>RF7 TYPE 08 TNC FEMALE CRIMP</p>  <p>7/16-28 UNEF</p>  <p>.472 [12.00]</p> <p>1.200 [30.50]</p> <p>RF7-08-T-02-50-G</p>	<p>RF11 TYPE 01 MCX FEMALE VERTICAL SMT MOUNT</p>   <p>o.177 [4.50]</p> <p>.177 [4.50]</p> <p>.236 [6.00]</p> <p>.236 [6.00]</p> <p>RF11-01-T-00-50-G Enlarged to show detail</p>
<p>RF12 TYPE 04 MMCX MALE VERTICAL PCB MOUNT</p>   <p>o.027 [0.70]</p> <p>.135 [3.45]</p> <p>.135 [3.45]</p> <p>.196 [5.00]</p> <p>RF12-04-T-00-50-G Enlarged to show detail</p>	<p>RF12 TYPE 05 MMCX PCB MOUNT</p>   <p>o.177 [4.50]</p> <p>.131 [3.32]</p> <p>.292 [7.41]</p> <p>.177 [4.5]</p> <p>.139 [3.53]</p> <p>RF12-05-T-00-50-G</p>
<p>RF20 TYPE 01 MHF SURFACE MOUNT</p>   <p>.122 [3.10]</p> <p>.102 [2.60]</p> <p>.102 [2.60]</p> <p>.118 [3.00]</p> <p>o.078 [2.00]</p> <p>.049 [1.25]</p> <p>RF20-01-P-00-50-G Enlarged to show detail</p>	<p>RF28 TYPE 01 W.FL SURFACE MOUNT</p>   <p>.066 [1.70]</p> <p>.066 [1.70]</p> <p>o.055 [1.40]</p> <p>.033 [0.85]</p> <p>RF28-01-T-00-50-G Enlarged to show detail</p>
<p>RF20 TYPE 01 CABLE ASSEMBLY MATES WITH MHF SMT CONNECTOR</p>   <p>.087 [2.20]</p> <p>.076 [1.93]</p> <p>CUSTOMER SPECIFIED</p> <p>.118 [3.00]</p> <p>CA# 6994-XX</p>	<p>RF28 TYPE 01 CABLE ASSEMBLY MATES W.FL SMT CONNECTOR</p>   <p>.064 [1.64]</p> <p>.047 [1.20]</p> <p>CUSTOMER SPECIFIED</p> <p>.078 [2.00]</p> <p>CA# 6993-XX</p>