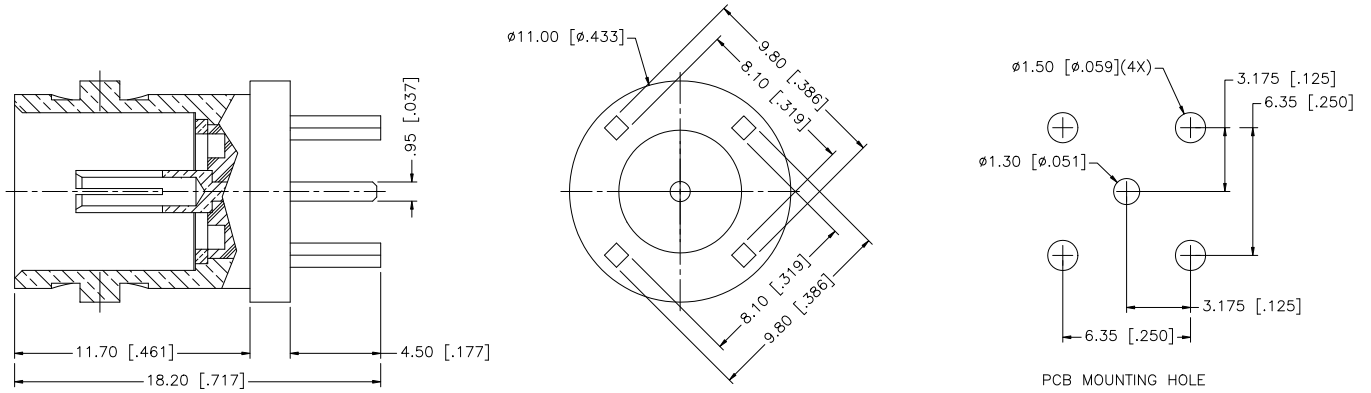


REV.	DATE	ECR NO.	DESCRIPTION
A	04/05/03	-	UPDATE DRAWING FORMAT
B	06/12/08	100030	ADD BODY CROSS SECTION



REV.	DESCRIPTION	MATERIAL	FINISH	QTY	UNLESS OTHERWISE SPECIFIED DIMENSIONS ARE IN MILLIMETERS. DIMENSIONS IN [ ] ARE IN INCHES AND FOR CUSTOMER REFERENCE ONLY.	APPROVALS	DATE	Amphenol Connex				
8					TOLERANCES FOR MILLIMETERS ARE: 0.5 - 8mm ± 0.20mm 8 - 30mm ± 0.40mm 30 - 120mm ± 0.50mm  UNLESS OTHERWISE SPECIFIED TOLERANCES FOR INCHES ARE: .020 - .315 = ± 0.007" .315 - 1.180 = ± 0.015" 1.180 - 4.724 = ± 0.020"	DRAWN	GRS	06/12/08	PART DESCRIPTION BNC STRAIGHT P.C.B. RECEPT. JACK (4 POST - 75 ohm)			
7				CHECKED								
6				ISSUED				PART NO. 112405				
5				SHEET		1 OF 1						
4	LOCK RING	BRASS	NICKEL	1		DO NOT SCALE DRAWING	CAD FILE	C:/112/112405.DWG	DWG. NO.	112405.DWG	REV. B	SIZE A
3	CONTACT PIN	PHOS. BRONZE	GOLD	1								
2	INSULATOR	PTFE	NATURAL	1								
1	BODY	BRASS	NICKEL	1								