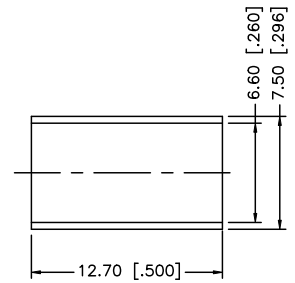
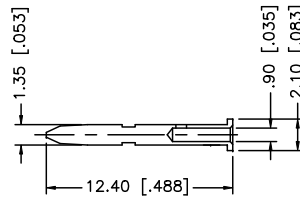
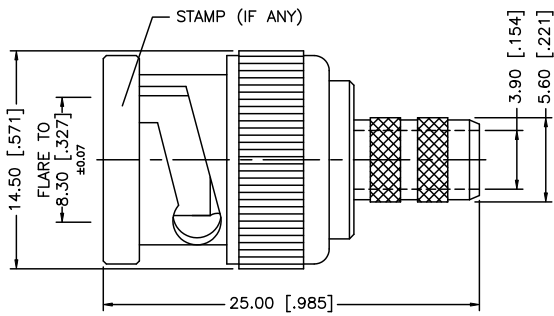
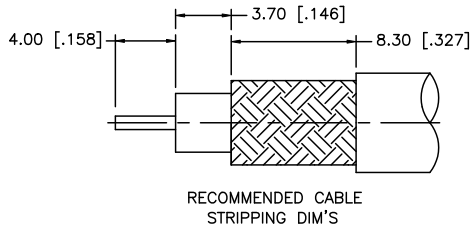


REV.	DATE	DESCRIPTION
A	04/28/97	CHANGE GOLD PLATING SPEC.
B	03/08/08	UPDATE DRAWING FORMAT, ADD CRIMP NOTES



NOTES:

1. CRIMPED FERRULE HEX CRIMP SIZE .255"
2. CRIMPED CONTACT HEX CRIMP SIZE .042" OR SOLDER.

UNLESS OTHERWISE SPECIFIED DIMENSIONS ARE IN MILLIMETERS. DIMENSIONS IN [] ARE IN INCHES AND FOR CUSTOMER REFERENCE ONLY.				APPROVALS	DATE	<h1 style="color: blue;">Amphenol Connex</h1>	
8				DRAWN	G.R.S.		03/08/08
7				CHECKED			
6				ISSUED			
5				SHEET	1 OF 1		
4	FERRULE	BRASS	NICKEL	1	PART DESCRIPTION		
3	CONTACT PIN	BRASS	GOLD	1	BNC CRIMP PLUG (FOR RG-59/U 20AWG - VPM2000 CABLE-75ohm)		
2	INSULATOR	TEFLON	NATURAL	1	PART NO.		
1	BODY	BRASS	NICKEL	1	112956		
DESCRIPTION				MATERIAL	FINISH	QTY	CAD FILE
DO NOT SCALE DRAWING							C:/112/112956.DWG
				DWG. NO.	112956.DWG	REV. B	SIZE A
						SCALE	NA

UNLESS OTHERWISE SPECIFIED TOLERANCES FOR MILLIMETERS ARE:
0.5 - 6mm ± 0.20mm
8 - 30mm ± 0.40mm
30 - 120mm ± 0.50mm

UNLESS OTHERWISE SPECIFIED TOLERANCES FOR INCHES ARE:
.020 - .315 = ± 0.007"
.315 - 1.180 = ± 0.015"
1.180 - 4.724 = ± 0.020"