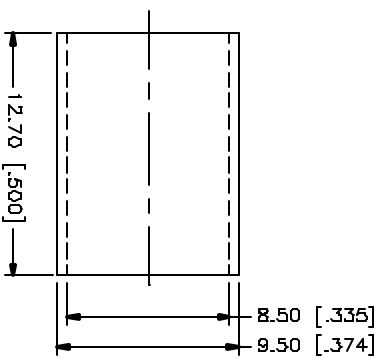
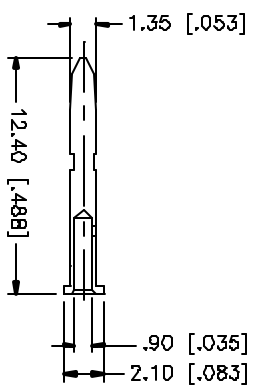
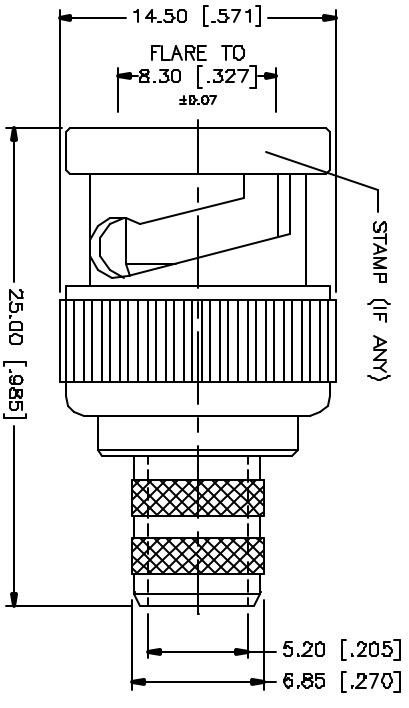
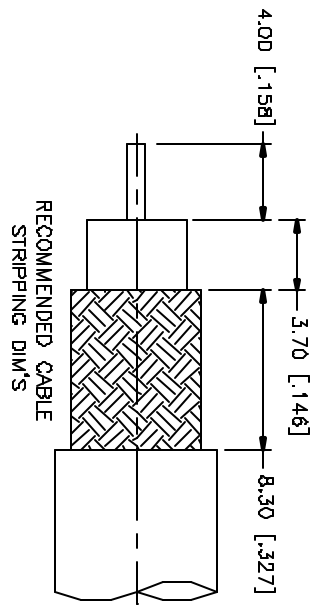


REV	DATE	DESCRIPTION
A	5/1/04	UPDATE DRAWING FORMAT



CRIMP NOTES:

1. CRIMPED FERRULE
HEX CRIMP SIZE .324"
2. CRIMPED CONTACT PIN
SQ. CRIMP SIZE .043"

QTY	FINISH	MATERIAL	DESCRIPTION
1	NICKEL	COPPER	FERRULE
1	GOLD	BRASS	CONTACT PIN
1	NATURAL	TEFLON	INSULATOR
1	NICKEL	BRASS	SHELL/BODY

APPROVALS	DATE
DRAWN C.R.S.	05/01/04
CHECKED	
ISSUED	
SHEET 1 OF 1	

DO NOT SCALE DRAWING	DO NOT SCALE DRAWING
UNLESS OTHERWISE SPECIFIED DIMENSIONS ARE IN MILLIMETERS, INDICATING IN [] ARE IN INCHES AND FRACTIONAL DECIMALS ONLY. TOLERANCES FOR MILLIMETERS ARE: 0.5 - 8mm ± 0.20mm 8 - 30mm ± 0.40mm 30 - 120mm ± 0.50mm	UNLESS OTHERWISE SPECIFIED DIMENSIONS ARE IN INCHES, INDICATING IN [] ARE IN MILLIMETERS, INDICATING IN [] ARE IN INCHES AND FRACTIONAL DECIMALS ONLY. TOLERANCES FOR INCHES ARE: .030 - .315 ± 0.007" .315 - 1.180 ± 0.015" 1.180 - 4.724 ± 0.020"

CDW FILE	DWG. NO.	REV.	SIZE	SCALE
C:/112/112953.DWG	112953.DWG	A	A	NA

PART DESCRIPTION	PART NO.
Amphenol Connex BNC CRIMP PLUG (FOR BELDEN 8281 CABLE)	112953