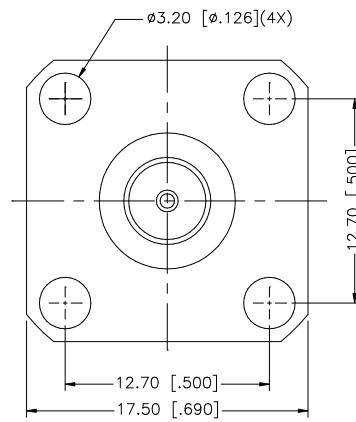
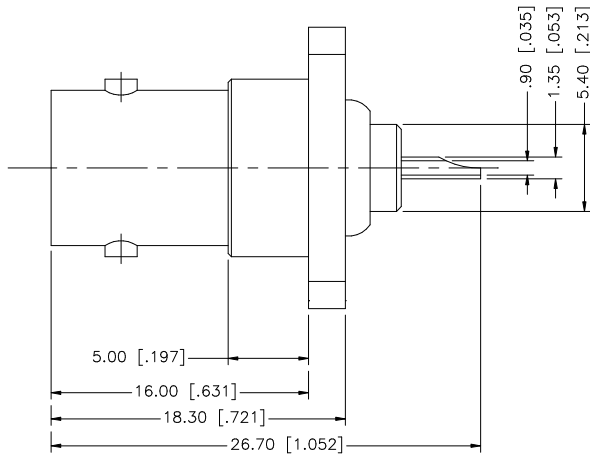


REV.	DATE	DESCRIPTION
NC	11/09/06	INITIAL RELEASE



8				<small>UNLESS OTHERWISE SPECIFIED DIMENSIONS ARE IN MILLIMETERS. DIMENSIONS IN [] ARE IN INCHES AND FOR CUSTOMER REFERENCE ONLY.</small> <small>UNLESS OTHERWISE SPECIFIED TOLERANCES FOR MILLIMETERS ARE:</small> 0.5 - 8mm ± 0.20mm 8 - 30mm ± 0.40mm 30 - 120mm ± 0.50mm <small>UNLESS OTHERWISE SPECIFIED TOLERANCES FOR INCHES ARE:</small> .020 - .315 = ± 0.007" .315 - 1.180 = ± 0.015" 1.180 - 4.724 = ± 0.020" DO NOT SCALE DRAWING	APPROVALS	DATE	<h1 style="color: blue; text-align: center;">Amphenol Connex</h1>			
7					DRAWN	G.R.S.		11/09/06	BNC PANEL JACK (FOUR HOLE) 75ohm	
6					CHECKED					PART NO. 112291 DWG. NO. 112291.DWG REV. NC SIZE A SCALE NA
5					ISSUED					
4					SHEET	1 OF 1				
3	CONTACT PIN	PHOS. BRONZE	GOLD		1					
2	INSULATOR	TEFLON	NATURAL		1					
1	BODY	BRASS	GOLD		1					
	DESCRIPTION	MATERIAL	FINISH	QTY						