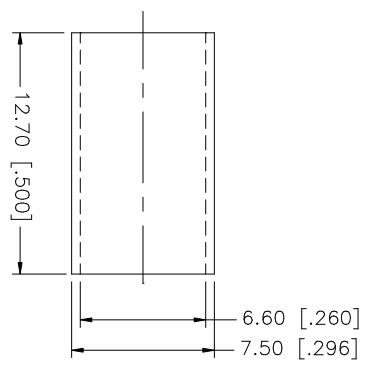
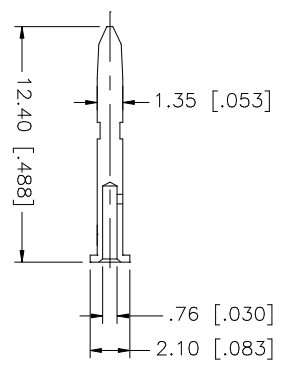
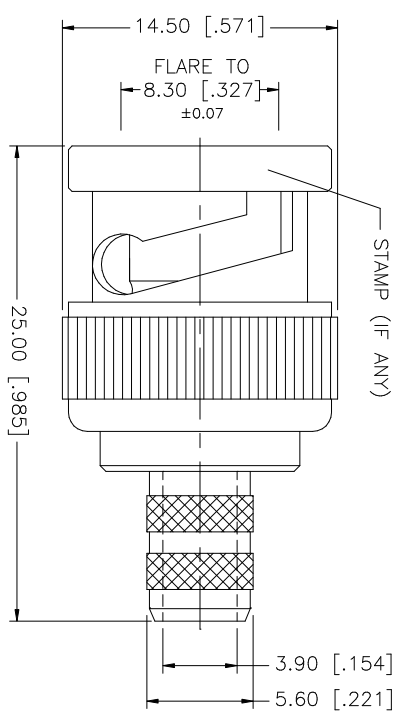
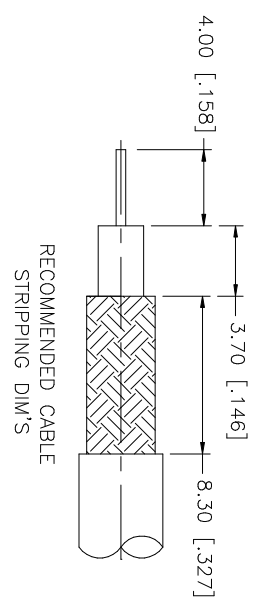


REV.	DATE	DESCRIPTION
A	11/21/03	UPDATE DRAWING FORMAT



CRIMP NOTES:

1. CRIMPED FERRULE
HEX CRIMP SIZE .255"
2. CRIMPED CONTACT PIN
HEX CRIMP SIZE .043"

DESCRIPTION	MATERIAL	FINISH	QTY	DO NOT SCALE DRAWING	APPROVALS	DATE	PART DESCRIPTION
1	BRASS	NICKEL	1				<p>Amphenol Connex</p> <p>BNC CRIMP PLUG (FOR BELDEN 8241, RG-59/U)</p> <p>112952</p>
2	BRASS	GOLD	1				
3	TEFLON	NATURAL	1				
4	COPPER	NICKEL	1				
5							
6							
7							
8							
UNLESS OTHERWISE SPECIFIED DIMENSIONS ARE IN MILLIMETERS. DIMENSIONS IN [] ARE IN INCHES AND FOR CUSTOMER REFERENCE ONLY. TOLERANCES FOR MILLIMETERS ARE:				UNLESS OTHERWISE SPECIFIED DIMENSIONS ARE IN MILLIMETERS. DIMENSIONS IN [] ARE IN INCHES AND FOR CUSTOMER REFERENCE ONLY. TOLERANCES FOR MILLIMETERS ARE:			
0.5 - 8mm ± 0.20mm				0.5 - 8mm ± 0.20mm			
8 - 30mm ± 0.40mm				8 - 30mm ± 0.40mm			
30 - 120mm ± 0.50mm				30 - 120mm ± 0.50mm			
UNLESS OTHERWISE SPECIFIED DIMENSIONS ARE:				UNLESS OTHERWISE SPECIFIED DIMENSIONS ARE:			
.020 - .315 = ± 0.007"				.020 - .315 = ± 0.007"			
.315 - 1.180 = ± 0.015"				.315 - 1.180 = ± 0.015"			
1.180 - 4.724 = ± 0.020"				1.180 - 4.724 = ± 0.020"			
CAD FILE					C:/112/112952.DWG		
DWG. NO.					112952.DWG		
REV.					A		
SIZE					A		
SCALE					NA		