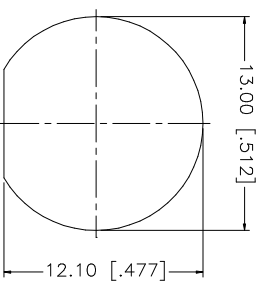
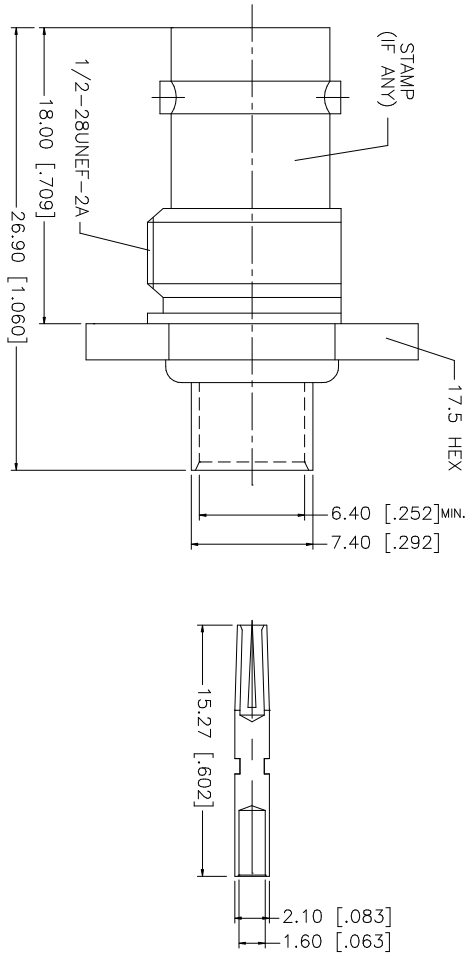
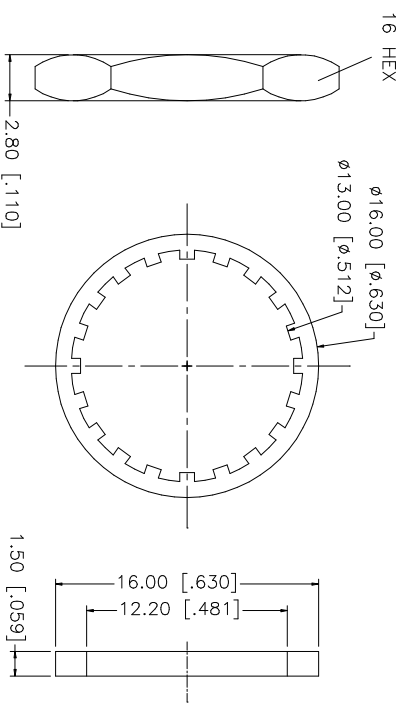
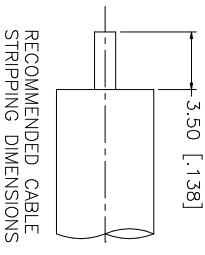


REV.	DATE	DESCRIPTION
NC	02/21/03	INITIAL RELEASE



NOTE:  
1. CONTACT PIN TO SOLDER

UNLESS OTHERWISE SPECIFIED DIMENSIONS ARE IN MILLIMETERS. DIMENSIONS IN [ ] ARE IN INCHES AND FOR CUSTOMER REFERENCE ONLY.	UNLESS OTHERWISE SPECIFIED TOLERANCES FOR MILLIMETERS ARE:	UNLESS OTHERWISE SPECIFIED TOLERANCES FOR INCHES ARE:	APPROVALS	DATE	PART DESCRIPTION
8			DRAWN	G.R.S.	02/21/03
7			CHECKED		
6	HEX NUT	BRASS	ISSUED		
5	LOCK WASHER	BRASS	SHEET	1 OF 1	
4	GASKET	RUBBER			
3	CONTACT PIN	PHOS. BRONZE			
2	INSULATOR	TEFLON			
1	BODY/HOUSING	BRASS			
	DESCRIPTION	MATERIAL	FINISH	QTY	
				DO NOT SCALE DRAWING	
			CAD FILE	C:/122/122489.DWG	DWG. NO.
					112714.DWG
					REV. NC
					SIZE A
					SCALE NA

**Amphenol Connex**

BNC BULKHEAD DIRECT SOLDER JACK  
(FOR .250" SEMI-RIGID CABLE)

112714