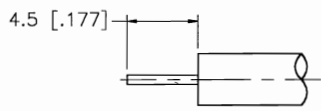
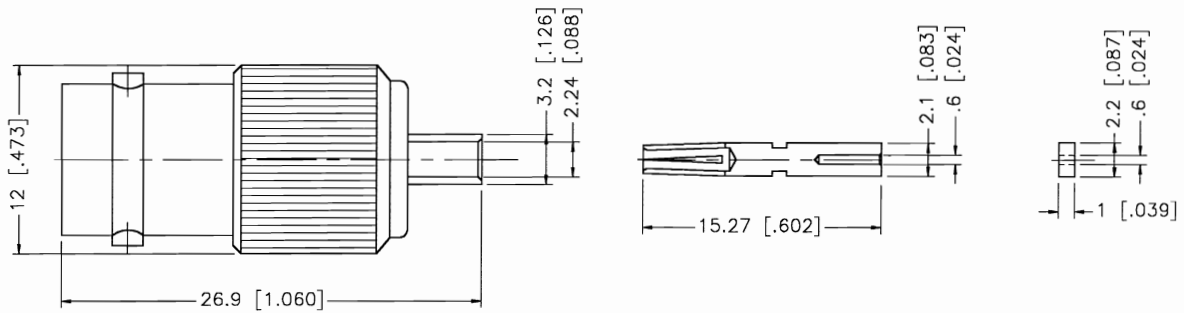



REV.	DATE	DESCRIPTION
A	11/28/99	UPDATE DESCRIPTION



RECOMMENDED  
CABLE STRIPPING DIM'S



DESCRIPTION	MATERIAL	FINISH	UNLESS OTHERWISE SPECIFIED DIMENSIONS ARE IN MILLIMETERS	APPROVALS	DATE						
1 BODY	BRASS	NICKEL	<small>DIMENSIONS IN [ ] ARE IN INCHES FOR CUSTOMER REFERENCE ONLY</small>	DRAWN G.R.S.	11/28/99					TITLE BNC CRIMP JACK (FOR .085 SEMI RIGID CABLE)	
2 BARREL	BRASS	GOLD		<small>UNLESS OTHERWISE SPECIFIED TOLERANCES FOR MILLIMETERS ARE:</small> 0.5-6 = ± 0.2 6-30 = ± 0.4 30-120 = ± 0.6 120-315 = ± 1 315-1000 = ± 1.6 1000-2000 = ± 2.4	CHECKED		SIZE	FSCM NO.	DWG. NO.		
3 INSULATOR	TEFLON	NATURAL		ISSUED		A	99001	112615.DWG	A		
4 CONTACT PIN	PHOS. BRONZE	GOLD				SCALE	NA	PART NO.	112615	SHEET	1 OF 1
5											
6											
7											
8			DO NOT SCALE DRAWING								