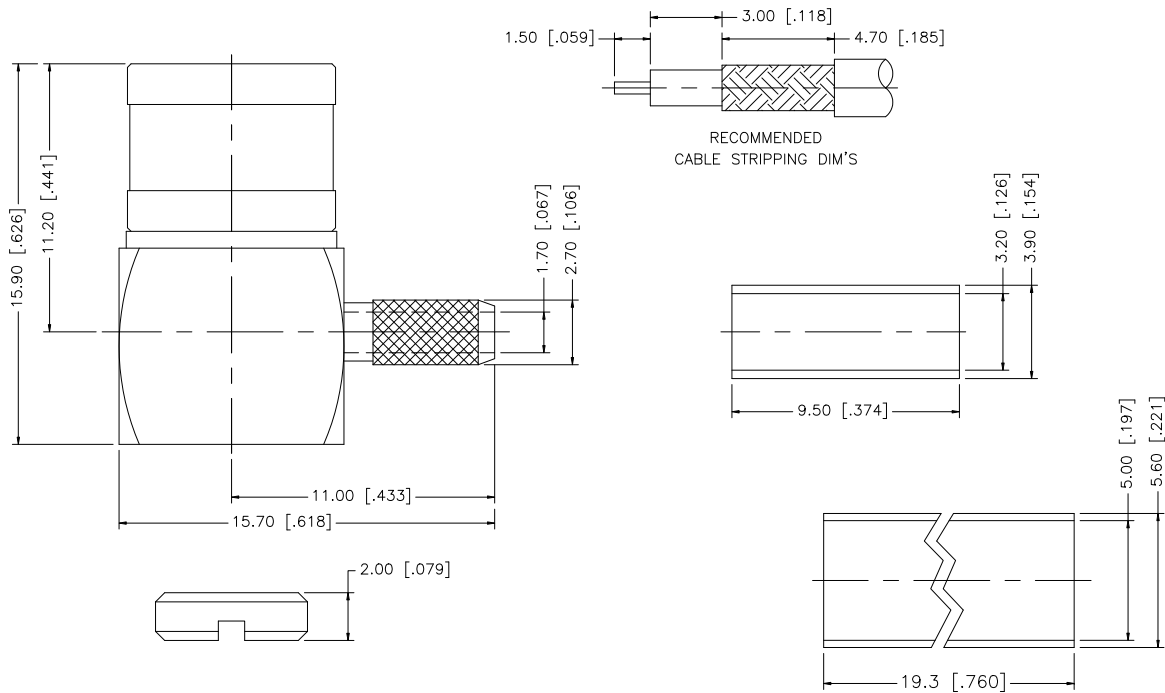


REV.	DATE	DESCRIPTION
B	03/27/05	UPDATE DRAWING FORMAT
C	03/08/08	REVISE PLATING TO GOLD, ADD CONTACT PIN IN MATERIAL CALLOUT



				UNLESS OTHERWISE SPECIFIED DIMENSIONS ARE IN MILLIMETERS; DIMENSIONS IN [ ] ARE IN INCHES AND FOR CUSTOMER REFERENCE ONLY.	APPROVALS	DATE	<b>Amphenol Connex</b>								
8					DRAWN	G.R.S.					03/08/08	PART DESCRIPTION <b>SMB R/A CRIMP PLUG (FOR RG-179/U, 184/U CABLE - 75ohm)</b>			
7					CHECKED			PART NO. <b>142115</b>							
6	HEAT SHRINK TUBE			1	ISSUED							DWG. NO. 142115.DWG			
5	FERRULE	BRASS	GOLD	1	SHEET	1 OF 1		REV. C							
4	NUT	BRASS	GOLD	1								SIZE A			
3	CONTACT PIN	BRASS	GOLD	1					SCALE NA						
2	INSULATOR	TEFLON	NATURAL	1											
1	BODY	BRASS	GOLD	1											
DESCRIPTION				MATERIAL	FINISH	QTY	DO NOT SCALE DRAWING								
								CAD FILE C:/142/142115.DWG							

UNLESS OTHERWISE SPECIFIED DIMENSIONS ARE IN MILLIMETERS; DIMENSIONS IN [ ] ARE IN INCHES AND FOR CUSTOMER REFERENCE ONLY.

UNLESS OTHERWISE SPECIFIED TOLERANCES FOR MILLIMETERS ARE:  
0.5 - 8mm ± 0.20mm  
8 - 30mm ± 0.40mm  
30 - 120mm ± 0.50mm

UNLESS OTHERWISE SPECIFIED TOLERANCES FOR INCHES ARE:  
.020 - .315 = ± 0.007"  
.315 - 1.180 = ± 0.015"  
1.180 - 4.724 = ± 0.020"