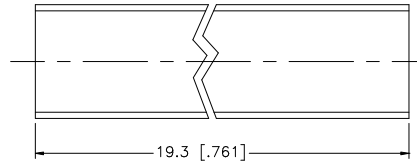
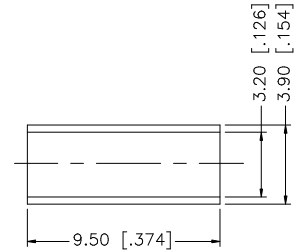
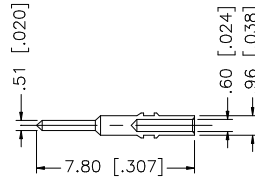
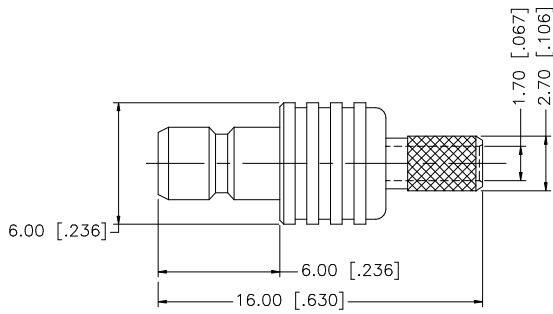
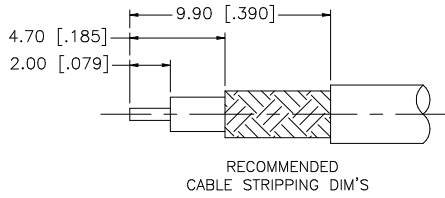


REV.	DATE	DESCRIPTION
A	02/09/06	UPDATE DRAWING FORMAT
B	05/08/07	REVISE BARREL, FERRULE DIMENSIONS, ADD CRIMP NOTES



- NOTE:
1. CRIMPED FERRULE HEX CRIMP SIZE .128"
  2. CRIMPED CONTACT PIN SQ. CRIMP SIZE 0.7mm

QTY	FINISH	MATERIAL	DESCRIPTION
1	NICKEL	BRASS	BODY
1	NATURAL	TEFLON	INSULATOR
1	GOLD	BRASS	CONTACT PIN
1	NICKEL	COPPER	FERRULE
1			HEAT SHRINK TUBE

APPROVALS	DATE
DRAWN G.R.S.	05/08/07
CHECKED	
ISSUED	
SHEET 1 OF 1	
CAD FILE C:/142/142181.DWG	

UNLESS OTHERWISE SPECIFIED DIMENSIONS ARE IN MILLIMETERS. DIMENSIONS IN [ ] ARE IN INCHES AND FOR CUSTOMER REFERENCE ONLY.
UNLESS OTHERWISE SPECIFIED TOLERANCES FOR MILLIMETERS ARE: 0.5 - 8mm ± 0.20mm 8 - 30mm ± 0.40mm 30 - 120mm ± 0.50mm
UNLESS OTHERWISE SPECIFIED TOLERANCES FOR INCHES ARE: .020 - .315 = ± 0.007" .315 - 1.180 = ± 0.015" 1.180 - 4.724 = ± 0.020"
DO NOT SCALE DRAWING

<b>Amphenol Connex</b>	
PART DESCRIPTION SMB CRIMP JACK (FOR 174/U, 188A/U, 316/U CABLE)	
PART NO. 142181	
DWG. NO.	142181.DWG
REV.	B
SIZE	A
SCALE	NA