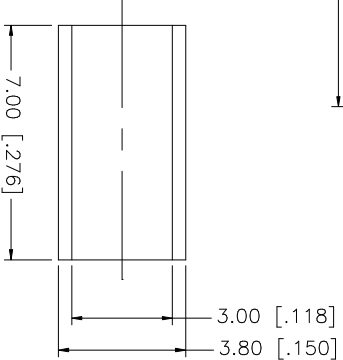
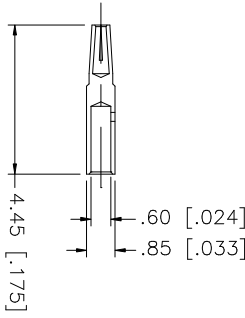
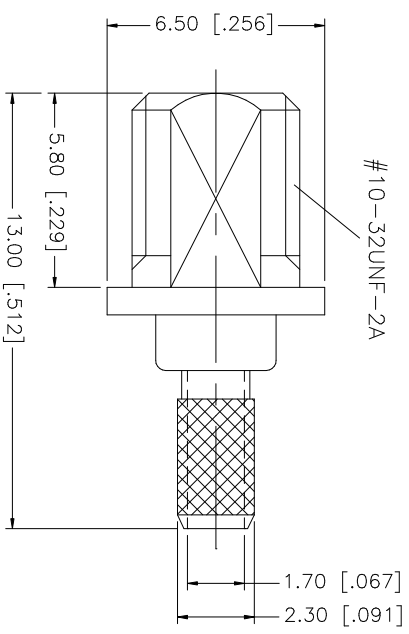
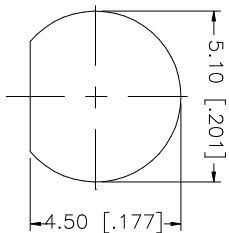
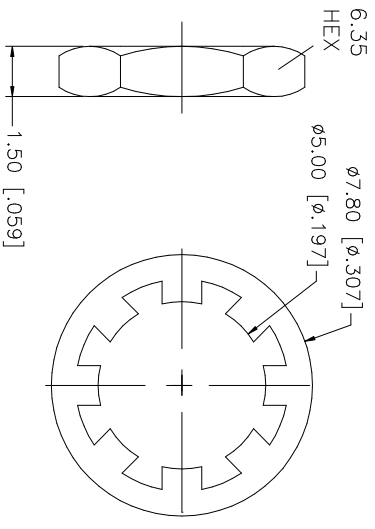
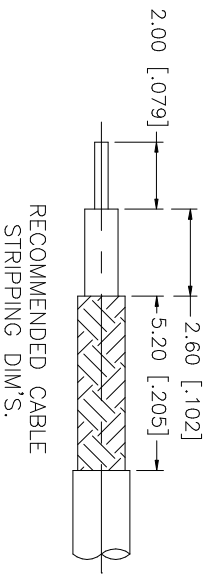


REV.	DATE	DESCRIPTION
NC	05/24/05	INITIAL RELEASE
A	04/19/06	UPDATE DRAWING FORMAT



QTY	FINISH	MATERIAL	DESCRIPTION
1	NICKEL	COPPER	FERRULE
1	NICKEL	BRASS	HEX NUT
1	NICKEL	BRASS	LOCK WASHER
1	RED	SILICONE	GASKET
1	GOLD	BER. COPPER	CONTACT PIN
1	NATURAL	TEFLON	INSULATOR
1	NICKEL	BRASS	BODY

APPROVALS	DATE
DRAWN G.R.S.	04/19/06
CHECKED	
ISSUED	
SHEET 1 OF 1	

UNLESS OTHERWISE SPECIFIED DIMENSIONS ARE IN INCHES AND FOR CUSTOMER REFERENCE ONLY.	UNLESS OTHERWISE SPECIFIED DIMENSIONS ARE IN MILLIMETERS ONLY.
0.5 - 8mm ± 0.20mm	8 - 30mm ± 0.40mm
8 - 120mm ± 0.50mm	30 - 120mm ± 0.50mm
0.020 - .315 = ± 0.007"	UNLESS OTHERWISE SPECIFIED DIMENSIONS FOR INCHES ARE:
.315 - 1.180 = ± 0.015"	1.180 - 4.724 = ± 0.020"

DO NOT SCALE DRAWING	CAD FILE
	C:/262/262121.DWG

DMG. NO.	REV.	SIZE	SCALE
262121.DWG	A	A	NA

PART NO.	PART DESCRIPTION
262121	MMCX BULKHEAD CRIMP JACK (FOR RG-174/U, 188/U, 316/U CABLE)

Amphenol Connex