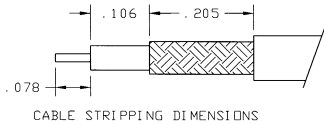
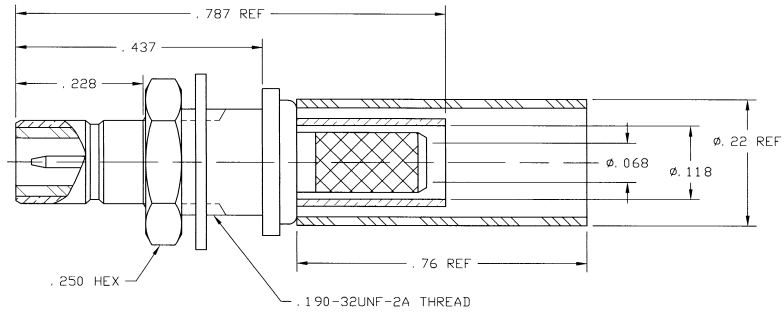
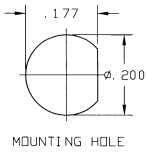


NOTES:
 1. MATERIAL AND FINISH:
 CONTACT: BRASS, GOLD PLATED
 FERRULE: COPPER, GOLD PLATED
 INSULATORS: PTFE
 OTHER METAL PARTS: BRASS, GOLD PLATED

903-505J-51 S		REVISIONS			
DRAWING NO.	REV	DESCRIPTION	DATE	ECO	APPR
THIRD ANGLE PROJ.	A	OFFICIAL ENG. RELEASE TO MFG.	9-8-94	40191	PB/RV
	B	REDRAWN, UPDATED	11/11/98	41234	PB/AB



CUSTOMER DRAWING

UNLESS OTHERWISE SPECIFIED, DIMENSIONS ARE IN INCHES AND TOLERANCES ARE: 2 PLACE DECIMAL ±.015 (0,381 mm) 3 PLACE DECIMAL ±.005 (0,127 mm) ANGLES ± 1°	MATERIAL	DRAWN P. BRENZEL	DATE 8-30-94	TITLE SMB BULKHEAD JACK CRIMP TYPE FOR RG-316/U CABLE	Amphenol Amphenol Corporation RF/Microwave Operations Danbury, Conn. U.S.A. 06810	
	NOTICE - These drawings, specifications, or other data (1) are, and remain the property of Amphenol Corp. (2) must be returned upon request; and (3) are confidential and not to be disclosed to any person other than those to whom they are given by Amphenol Corp. The furnishing of these drawings, specifications, or other data by Amphenol Corp., or to any other person to anyone for any purpose is not to be regarded by implication or otherwise in any manner licensing, granting rights or permitting such holder or any other person to manufacture, use or sell any product, process or design, patented or otherwise, that may in any way be related to or disclosed by said drawings, specifications, or other data.	REFERENCE EAR 111-964412 EAR 107-966180	ENGINEER P. BRENZEL			DATE 8-30-94
		CAD FILE H: \PETE\SMB\903\ASSY\505J51 SC	CODE ID 74868	DWG SIZE B	DRAWING NO. 903-505J-51 S	REV B