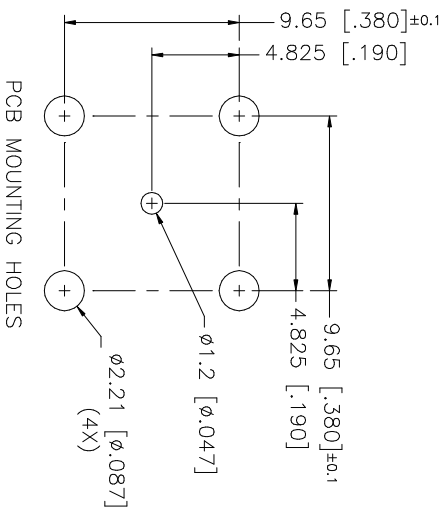
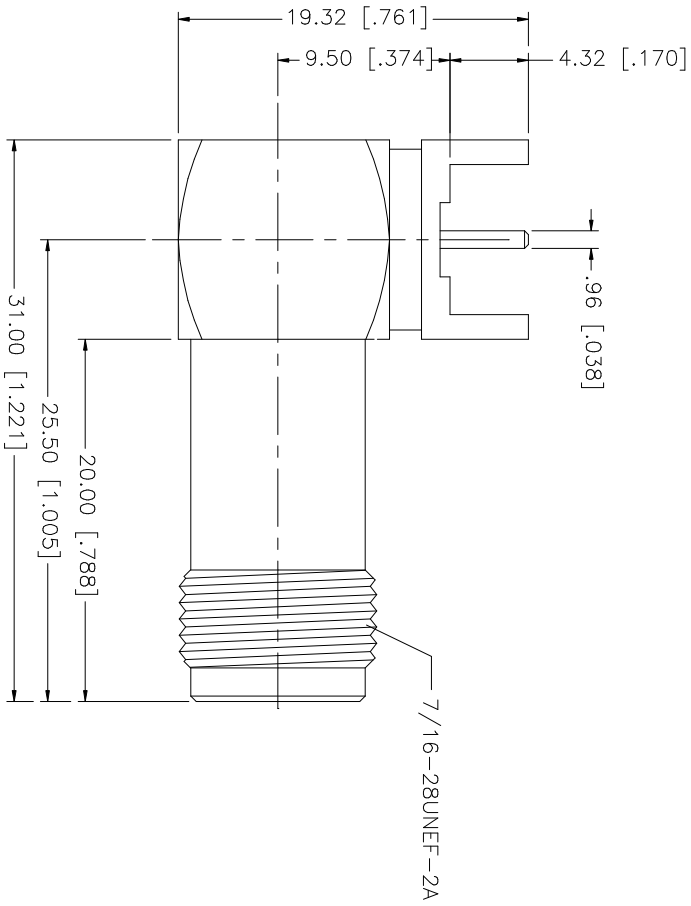
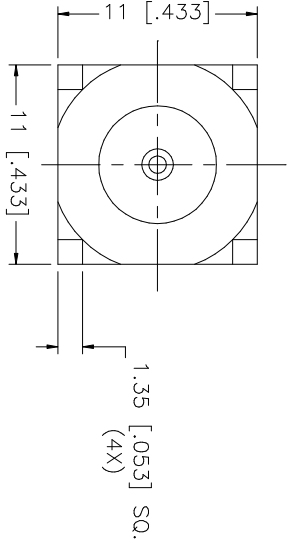


REV.	DATE	DESCRIPTION
NC	02/12/01	INITIAL RELEASE
A	02/09/06	UPDATE DRAWING FORMAT



QTY	FINISH	MATERIAL	DESCRIPTION
1	NICKEL	BRASS	INSULATOR BODY
1	NATURAL	TEFLON	INSULATOR
1	GOLD	PHOS. BRONZE	CONTACT PIN

UNLESS OTHERWISE SPECIFIED DIMENSIONS ARE IN INCHES AND FOR CUSTOMER REFERENCE ONLY.	UNLESS OTHERWISE SPECIFIED DIMENSIONS ARE IN MILLIMETERS AND FOR CUSTOMER REFERENCE ONLY.
TOLERANCES FOR INCHES ARE:	TOLERANCES FOR MILLIMETERS ARE:
0.5 - .8mm ± 0.20mm	0.5 - .8mm ± 0.20mm
8 - .30mm ± 0.40mm	8 - .30mm ± 0.40mm
30 - 120mm ± 0.50mm	30 - 120mm ± 0.50mm

UNLESS OTHERWISE SPECIFIED DIMENSIONS ARE IN INCHES AND FOR CUSTOMER REFERENCE ONLY.	UNLESS OTHERWISE SPECIFIED DIMENSIONS ARE IN MILLIMETERS AND FOR CUSTOMER REFERENCE ONLY.
TOLERANCES FOR INCHES ARE:	TOLERANCES FOR MILLIMETERS ARE:
.020 - .315 = ± 0.007"	.020 - .315 = ± 0.007"
.315 - 1.180 = ± 0.015"	.315 - 1.180 = ± 0.015"
1.180 - 4.724 = ± 0.020"	1.180 - 4.724 = ± 0.020"

APPROVALS	DATE
DRAWN G.R.S.	02/09/06
CHECKED	
ISSUED	

SHEET	OF
1	1

PART DESCRIPTION	PART NO.
TNC R/A P.C.B. MOUNT JACK	122462

CAD FILE	DWG. NO.	REV.	NC	SIZE	SCALE
C:/122/122462.DWG	122462.DWG	NC		A	NA

Amphenol Connex

TNC R/A P.C.B. MOUNT JACK

122462