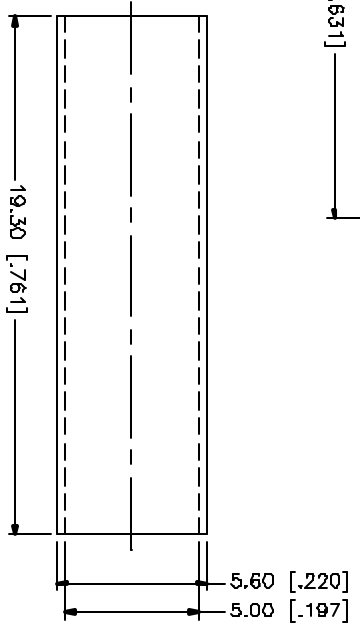
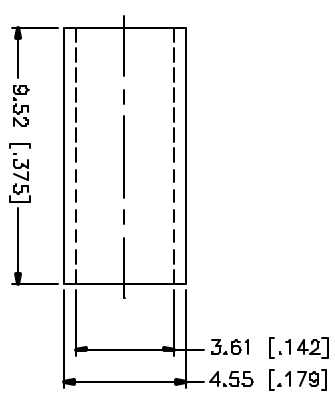
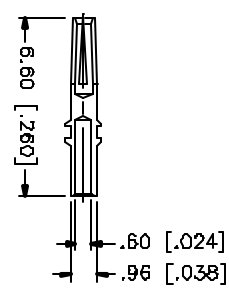
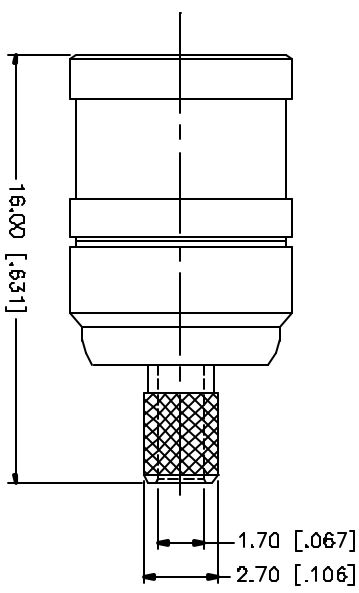
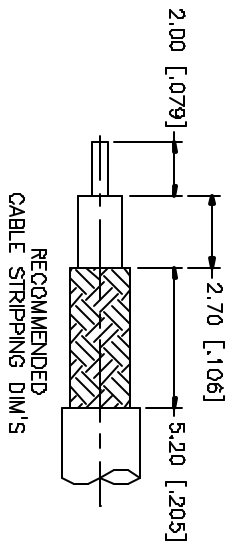


REV.	DATE	DESCRIPTION
D	05/01/04	REFORMAT DRAWING



NOTE:
 1. CRIMPED FERRULE
 HEX CRIMP SIZE .151"
 2. CONTACT PIN TO SOLDER

QTY	FINISH	MATERIAL	DESCRIPTION
1	NICKEL	BRASS	FERRULE
1	GOLD	PHOS. BRONZE	CONTACT PIN
1	NATURAL	TEFLON	INSULATOR
1	NICKEL	BRASS	HOUSING/BODY

APPROVALS	DATE	DESCRIPTION
DRAWN G.R.S.	05/01/04	Amphenol Connex SMB CRIMP PLUG (FOR RG-316/U DOUBLE BRAID CABLE) PART NO. 142183
CHECKED		
ISSUED		

UNLESS SPECIFIC GEOMETRIC DIMENSIONS ARE IN MILLIMETERS DIMENSIONS IN [] ARE IN INCHES AND FOR CENTER REFERENCE ONLY.	DWG. NO.	142183.DWG
UNLESS SPECIFIC GEOMETRIC DIMENSIONS ARE INDICATED FOR MILLIMETER AND INCH DIMENSIONS FOR MILLIMETER ARE 0.25 - 8mm ± 0.20mm 8 - 30mm ± 0.40mm 30 - 120mm ± 0.50mm	REV.	D
UNLESS SPECIFIC GEOMETRIC DIMENSIONS ARE INDICATED FOR INCH DIMENSIONS ARE .020 - .315 ± ± 0.002" .315 - 1.180 ± ± 0.015" 1.180 - 4.724 ± ± 0.020"	SIZE	A
UNLESS SPECIFIC GEOMETRIC DIMENSIONS ARE INDICATED FOR MILLIMETER AND INCH DIMENSIONS FOR MILLIMETER ARE 0.25 - 8mm ± 0.20mm 8 - 30mm ± 0.40mm 30 - 120mm ± 0.50mm	SCALE	NA