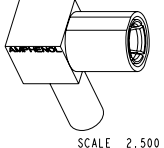
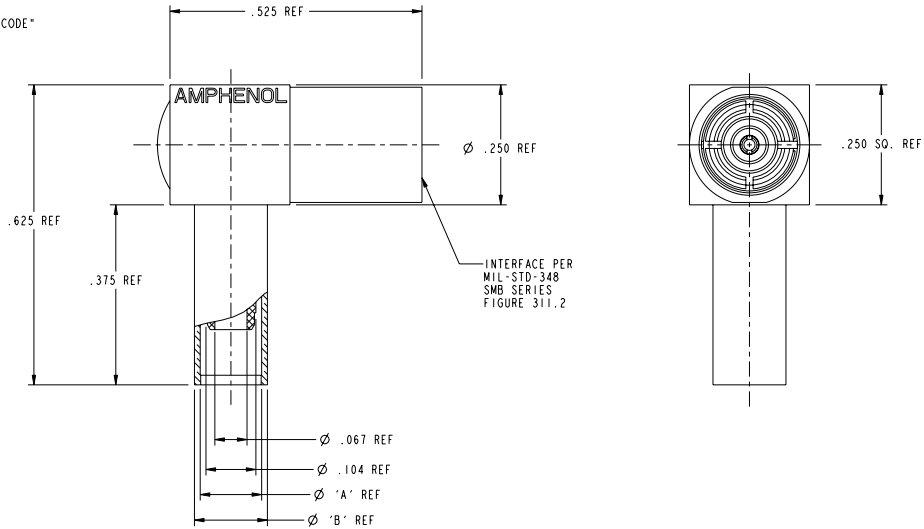


NOTES:

1. MATERIALS OF CONSTRUCTION:
 BODY = BRASS, GOLD PLATED (.000030 MIN THICK)
 CUBE BODY = ZINC DIE CAST, NICKEL PLATED (.000200 MIN THICK)
 FEMALE CONTACT = BeCu, GOLD PLATED (.000030 MIN THICK)
 CAP = BRASS, NICKEL PLATED (.000100 MIN THICK)
 FERRULE = SEAMLESS COPPER, NICKEL (.000100 MIN THICK)
 INSULATOR = TEFLON
 SPRING RING = BeCu, NICKEL PLATED (.000100 MIN THICK)
2. ELECTRICAL:
 A. IMPEDANCE: 50 OHM
 B. FREQUENCY RANGE: DC - 4 GHz
 C. VSWR(RETURN LOSS): 1.35 + .04f (GHz), MAX.
 D. DIELECTRIC WITHSTANDING VOLTAGE: 1000 VRMS, MIN.
3. MECHANICAL:
 A. DURABILITY: 500 CYCLES, MIN.
 B. TEMPERATURE RANGE: -65° C TO +165° C
4. PACKAGING:
 A. QUANTITY: SINGLE PACK
 B. MARKING: BAG TO BE MARKED
 "AMPHENOL, 903-350P-51A1, AND DATE CODE"

903-350P-51A1		REVISIONS			
REV	DESCRIPTION	DATE	ECO	APPR	
--	RELEASE TO MFG.	-----	-----		
M	SEE SHEET 1	7/11/05	45513	CPM	
N	SEE SHEET 1	11/6/06	46336	CPM	



CUSTOMER OUTLINE DRAWING
 ALL OTHER SHEETS ARE FOR INTERNAL USE ONLY

UNLESS OTHERWISE SPECIFIED, DIMENSIONS ARE IN INCHES AND TOLERANCES ARE: 2 PLACE DECIMAL 3 PLACE DECIMAL ANGLES ±.015 (0.381 mm) ±.005 (0.127 mm) ± 1°	MATERIAL REFERENCE EAR 1111-961389 2 GEN# ASSYM18_SMB 615X-963-100 AGILENT# 1250-0872 REV C	DRAWN C. McGRATH DATE 10/25/04	TITLE SMB 50 OHM R/A PLUG FOR RG-316/U	Amphenol RF Danbury, CT, USA Tainan, Taiwan Shenzhen, China www.amphenolrf.com			
		ENGINEER O. BARTHELMES DATE 10/25/04		APPROVED M. HOYACK DATE 7/11/05	CAD FILE I:\SMA\903-350P-51A1	CODE ID 74868	DWG SIZE B