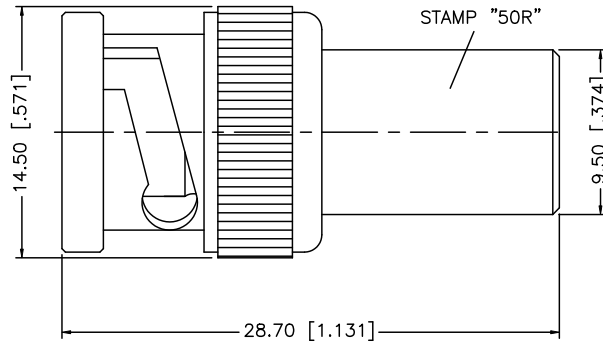


REV.	DATE	DESCRIPTION
NC	01/19/99	INITIAL RELEASE
A	03/13/08	UPDATE DRAWING FORMAT



NOTES:

1. RESISTOR TOLERANCE 50ohm - 5% - 0.5 WATT

8				<small>UNLESS OTHERWISE SPECIFIED DIMENSIONS ARE IN MILLIMETERS. DIMENSIONS IN [] ARE IN INCHES AND FOR CUSTOMER REFERENCE ONLY.</small> <small>UNLESS OTHERWISE SPECIFIED TOLERANCES FOR MILLIMETERS ARE:</small> 0.5 - 8mm ± 0.20mm 8 - 30mm ± 0.40mm 30 - 120mm ± 0.50mm <small>UNLESS OTHERWISE SPECIFIED TOLERANCES FOR INCHES ARE:</small> .020 - .315 = ± 0.007" .315 - 1.180 = ± 0.015" 1.180 - 4.724 = ± 0.020" DO NOT SCALE DRAWING	APPROVALS	DATE	<h1 style="color: blue;">Amphenol Connex</h1>			
7					DRAWN	G.R.S.		03/13/08		
6					CHECKED					
5					ISSUED					
4					SHEET	1 OF 1				
3	CONTACT PIN	BRASS	GOLD		1					
2	INSULATOR	TEFLON	NATURAL		1					
1	BODY	BRASS	NICKEL		1					
	DESCRIPTION	MATERIAL	FINISH	QTY	CAD FILE	C:/202/202104.DWG	PART DESCRIPTION <h2 style="text-align: center;">BNC TERMINATOR PLUG</h2> PART NO. <h2 style="text-align: center;">202104</h2> DWG. NO. 202104.DWG			
					REV.	A	SIZE	A	SCALE	NA