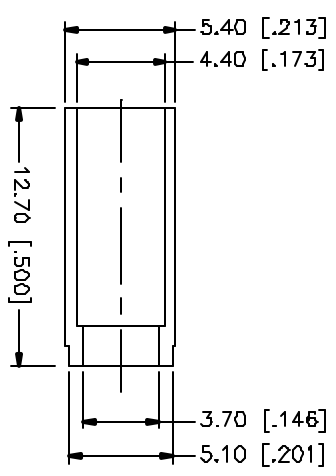
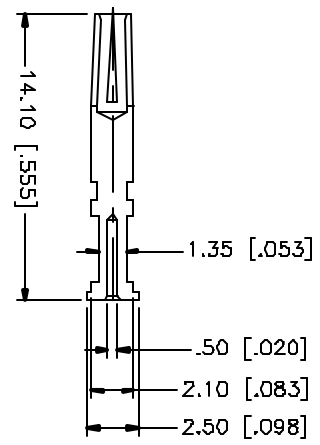
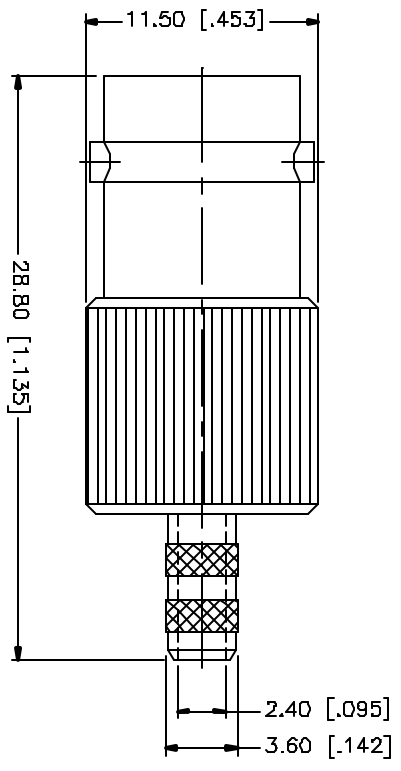
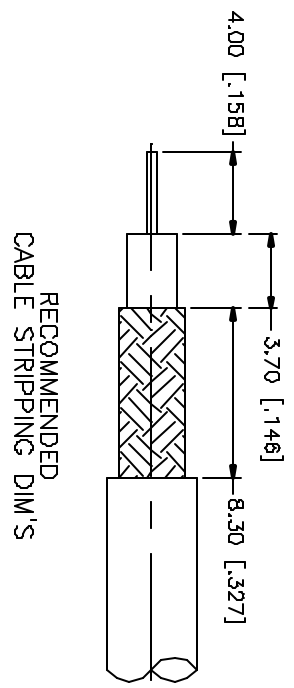


REV.	DATE	DESCRIPTION
A	03/18/05	UPDATE DRAWING FORMAT



QTY	FINISH	MATERIAL	DESCRIPTION
1	NICKEL	COPPER	FERRULE
1	GOLD	PHOS. BRONZE	CONTACT FIN
1	NATURAL	TEFLON	INSULATOR
1	NICKEL	BRASS	BODY

APPROVALS	DATE
DRAWN G.R.S.	03/18/05
CHECKED	
ISSUED	
SHEET 1 QF 1	

PART NO.	DWG. NO.	REV.	SIZE	SCALE
112974	112974.DWG	A	A	NA

**Amphenol Connex**

BNC CRIMP JACK  
(FOR AT&T 735A - 75ohm)

UNLESS OTHERWISE SPECIFIED, DIMENSIONS ARE IN MILLIMETERS AND DECIMALS THEREOF. DIMENSIONS FOR MILLIMETER ARE TOLERANCES FOR MILLIMETER ARE: .05 - 30mm ± 0.20mm .3 - 30mm ± 0.40mm 30 - 120mm ± 0.50mm UNLESS OTHERWISE SPECIFIED, DIMENSIONS FOR INCHES ARE: .020 - .315 ± 0.007" .315 - 1.180 ± 0.015" 1.180 - 4.724 ± 0.020"

DO NOT SCALE DRAWING

CAD FILE C:/112/112974.DWG