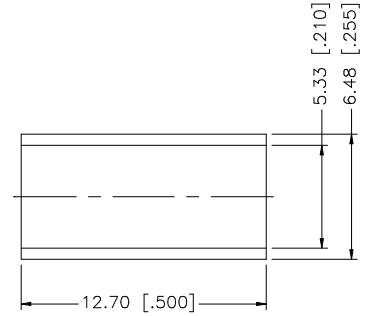
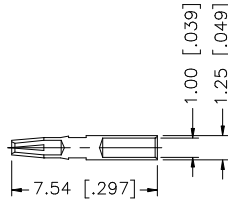
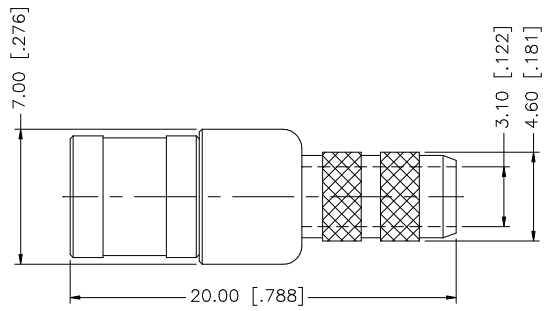
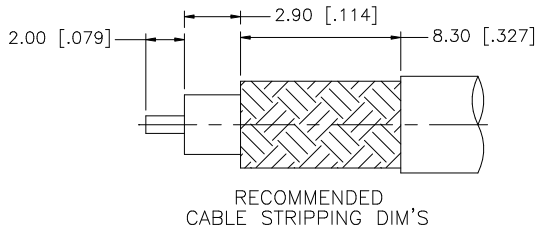


REV.	DATE	DESCRIPTION
NC	11/08/99	INITIAL RELEASE
A	10/01/06	UPDATE DRAWING FORMAT



NOTE:
1. CRIMPED FERRULE HEX CRIMP SIZE .213"

				UNLESS OTHERWISE SPECIFIED DIMENSIONS ARE IN MILLIMETERS. DIMENSIONS IN [] ARE IN INCHES AND FOR CUSTOMER REFERENCE ONLY.	APPROVALS	DATE	Amphenol Connex				
8					DRAWN	G.R.S.	10/01/06	PART DESCRIPTION SMB CRIMP PLUG (FOR RG-58/U CABLE)			
7					CHECKED						
6					ISSUED						
5					SHEET	1 OF 1					
4	FERRULE	COPPER	GOLD	1	CAD FILE C:/142/142255.DWG			PART NO. 142255			
3	CONTACT PIN	BER. COPPER	GOLD	1							
2	INSULATOR	TEFLON	NATURAL	1							
1	BODY	BRASS	GOLD	1	DO NOT SCALE DRAWING			DWG. NO. 142255.DWG			
	DESCRIPTION	MATERIAL	FINISH	QTY				REV. A SIZE A SCALE NA			

UNLESS OTHERWISE SPECIFIED DIMENSIONS ARE IN MILLIMETERS. DIMENSIONS IN [] ARE IN INCHES AND FOR CUSTOMER REFERENCE ONLY.

UNLESS OTHERWISE SPECIFIED TOLERANCES FOR MILLIMETERS ARE:
0.5 - 8mm ± 0.20mm
8 - 30mm ± 0.40mm
30 - 120mm ± 0.50mm

UNLESS OTHERWISE SPECIFIED TOLERANCES FOR INCHES ARE:
.020 - .315 = ± 0.007"
.315 - 1.180 = ± 0.015"
1.180 - 4.724 = ± 0.020"

Amphenol Connex

**SMB CRIMP PLUG
(FOR RG-58/U CABLE)**

142255

REV. A SIZE A SCALE NA