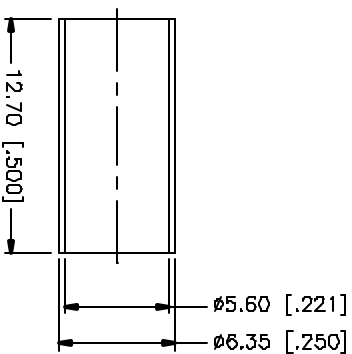
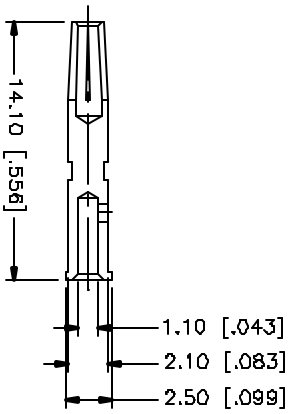
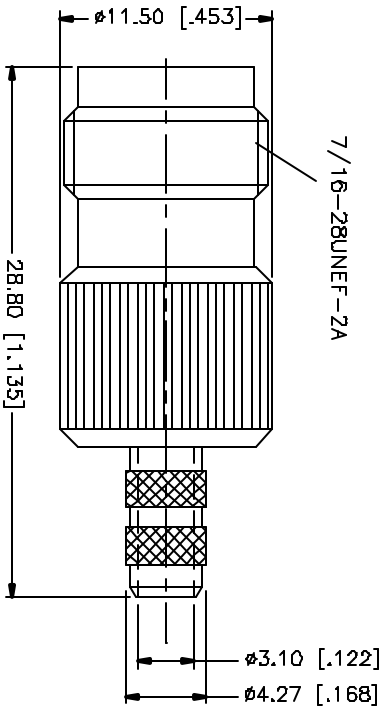
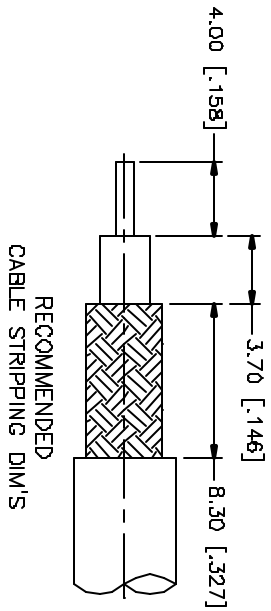


REV.	DATE	DESCRIPTION
NC	03/19/05	INITIAL RELEASE



NOTE:

1. CRIMPED FERRULE
HEX CRIMP SIZE 5.41 [.213"]
2. CRIMP CONTACT PIN
HEX CRIMP SIZE 1.72 [.068"]

REV.	DATE	DESCRIPTION			
NC	03/19/05	INITIAL RELEASE			
Amphenol Connex					
PART DESCRIPTION TNC CRIMP JACK (FOR RG-55/U, 142A/U, 223/U, 400/U)					
PART NO. 122373					
DWG. NO. 122373.DWG					
REV. NC BZE A SCALE NA					
DAD FILE C:/122/122373.DWG					
APPROVALS		DATE			
DRAWN G.R.S.		03/19/05			
CHECKED					
ISSUED					
SHEET 1 OF 1					
UNLESS OTHERWISE SPECIFIED DIMENSIONS ARE IN MILLIMETERS. DIMENSIONS IN [] ARE IN INCHES AND PER QUOTE/REFERENCE ONLY. TOLERANCES FOR MILLIMETERS ARE: 0.5 - 30mm ± 0.20mm 30 - 50mm ± 0.40mm 50 - 120mm ± 0.50mm UNLESS OTHERWISE SPECIFIED DIMENSIONS FOR INCHES ARE: .020 - .315 ± 0.007" .315 - 1.180 ± 0.015" 1.180 - 4.724 ± 0.020" DO NOT SCALE DRAWING					
1	INSULATOR BODY	BRASS	NICKEL	1	1
2	INSULATOR	TEFLON	NATURAL	1	1
3	CONTACT PIN	PHOS. BRONZE	GOLD	1	1
4	FERRULE	COPPER	NICKEL	1	1
5					
6					
7					
8					
DESCRIPTION		MATERIAL	FINISH	QTY	