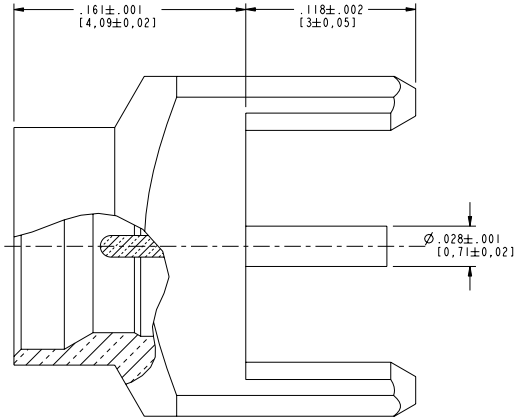
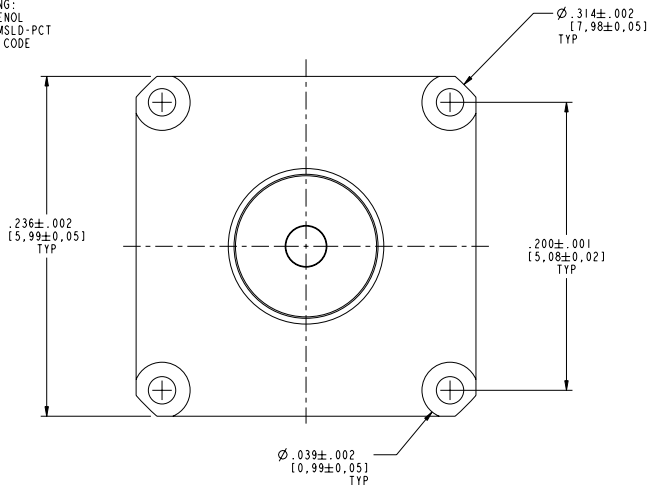
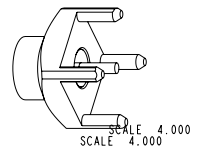


NOTES:

- MATERIALS AND FINISHES:  
 BODY - BRASS, GOLD PLATING, .000030 [0.8] THICK OVER COPPER  
 CONTACT - BRASS, GOLD PLATING, .000030 [0.8] THICK OVER COPPER  
 INSULATOR - PEEK OR LCP
- ELECTRICAL:  
 A. IMPEDANCE: 50 OHM  
 B. FREQUENCY RANGE: DC - 6 GHz  
 C. VSWR(RETURN LOSS): 1.10 (26.4 dB), MAX. DC-2GHz  
 1.22 (20 dB), MAX. 2-6GHz  
 D. DIELECTRIC WITHSTANDING VOLTAGE: 500 VRMS, MIN.
- PHYSICAL:  
 A. DURABILITY: 500 CYCLES MIN.  
 B. ENGAGEMENT FORCE: 2 LB [9 N] MAX  
 C. DISINGAGEMENT FORCE: .5 LB [2.2 N] MIN  
 D. INNER CONTACT RETENTION FORCE: 1.5 LB [7 N] MIN  
 E. TEMPERATURE RANGE: -65° C TO 165° C
- PACKAGING:  
 A. QUANTITY: SINGLE PACK  
 B. MARKING:  
 AMPHENOL  
 SMP-MSLD-PCT  
 DATE CODE  
 QTY

SMP-MSLD-PCT		REVISIONS			
DRAWING NO.	REV	DESCRIPTION	DATE	ECO	APPR
FIRST ANGLE PROJ.	A	RELEASE TO MFG.	3/2/05	45425	MAH



SECTION B-B

**CUSTOMER OUTLINE DRAWING**  
**ALL OTHER SHEETS ARE FOR INTERNAL USE ONLY**

UNLESS OTHERWISE SPECIFIED, DIMENSIONS ARE IN INCHES AND TOLERANCES ARE: 2 PLACE DECIMAL 3 PLACE DECIMAL ANGLES $\pm .015$ (0.381 mm) $\pm .005$ (0.127 mm) $\pm 1^\circ$	MATERIAL	DRAWN	DATE	TITLE	<b>Amphenol</b> Amphenol Corporation Communication and Network Products Division Danbury, CT U.S.A. 06810 SCALE: 15.0:1 SHEET 2 OF 2	
	NOTICE - These drawings, specifications, or other data (1) are, and remain the property of Amphenol Corp. (2) must be returned upon request; and (3) are confidential and not to be disclosed to any person other than those to whom they are given by Amphenol Corp. The furnishing of these drawings, specifications, or other data by Amphenol Corp., or to any other person for any purpose is not to be regarded by implication or otherwise in any manner licensing, granting rights or permitting such holder or any other person to manufacture, use or sell any product, process or design, patented or otherwise, that may in any way be related to or disclosed by said drawings, specifications, or other data.	REFERENCE EARR 1531 GEN# ASSYM4_SMP 615X-1732 PREVIOUSLY SMP-MSLD-PCT-2	K. CAPOZZI K. CAPOZZI O. BARTHELME	9/21/04 9/21/04 3/2/05		SMP MALE, PIN CONTACT PCB RECEPTACLE LIMITED DETENT
		CAD FILE	CODE ID	DWG SIZE	DRAWING NO.	REV
		SMP-MSLD-PCT	74868	B	SMP-MSLD-PCT	A