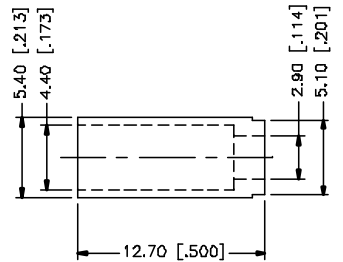
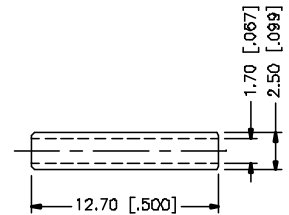
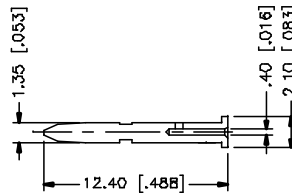
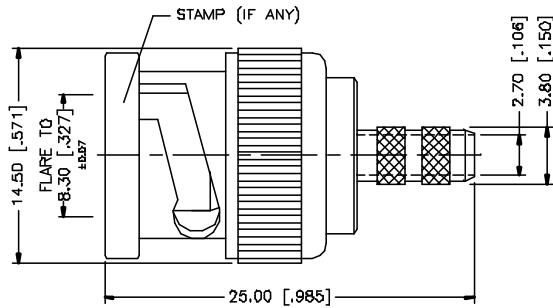
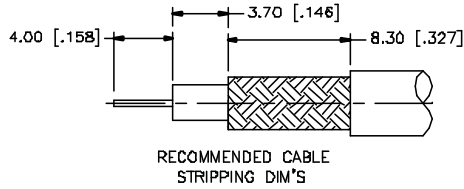


REV.	DATE	DESCRIPTION
A	08/15/04	UPDATE DRAWING FORMAT



NOTE:

1. CRIMPED FERRULE
HEX. CRIMP SIZE .178"
2. CRIMPED CONTACT PIN
HEX CRIMP SIZE .042"

REV.	DESCRIPTION	MATERIAL	FINISH	QTY	APPROVALS	DATE	Amphenol Connex							
8					DRAWN	G.R.S.	08/15/04	BNC CRIMP PLUG - 75ohms (FOR RG179, BELDEN 9221/1502A/1522A)						
7					CHECKED									
6	FERRULE	BRASS	NICKEL	1	ISSUED									
4	SLEEVE	DELTRIN	NATURAL	1	SHEET	1 OF 1								
3	CONTACT PIN	BRASS	GOLD	1										
2	INSULATOR	TEFLON	NATURAL	1	PART NO.		112954							
1	BODY	BRASS	NICKEL	1	Dwg. No.		112954.DWG		REV.	A	SIZE	A	SCALE	NA
<small>UNLESS OTHERWISE SPECIFIED DIMENSIONS ARE IN MILLIMETERS. DIMENSIONS IN [] ARE IN INCHES AND ARE FOR CUSTOMER REFERENCE ONLY.</small> <small>UNLESS OTHERWISE SPECIFIED TOLERANCES FOR MILLIMETERS ARE:</small> D, S - 9mm ± 0.20mm B - 30mm ± 0.40mm 30 - 120mm ± 0.50mm <small>UNLESS OTHERWISE SPECIFIED TOLERANCES FOR INCHES ARE:</small> .020 - .315 ± 0.007" .315 - 1.180 ± 0.015" 1.180 - 4.724 ± 0.020" DO NOT SCALE DRAWING					C:/112/112954.DWG									