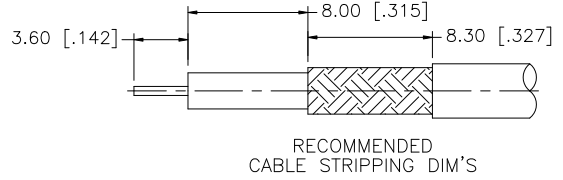
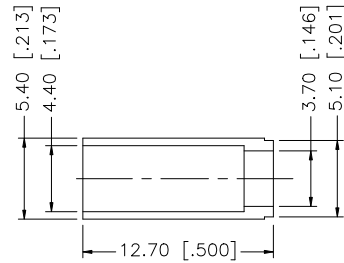
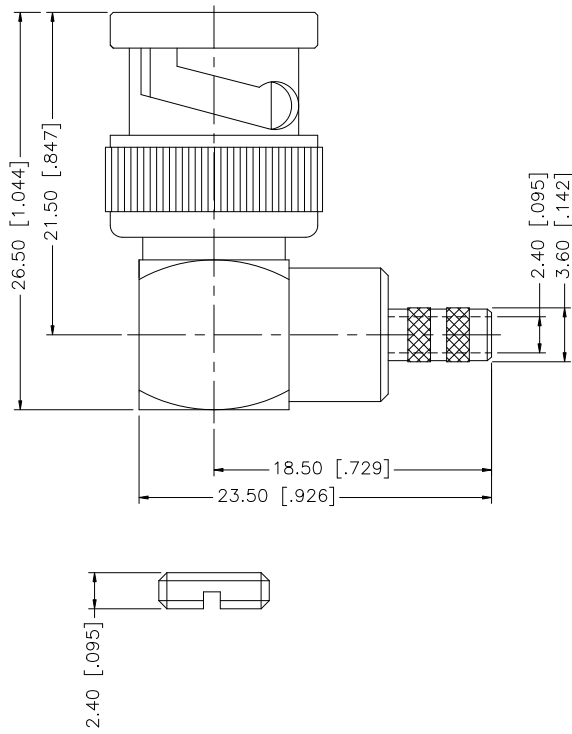


REV.	DATE	DESCRIPTION
NC	06/11/00	INITIAL RELEASE
A	07/01/04	UPDATE DRAWING FORMAT



- NOTES:
1. CRIMPED FERRULE HEX CRIMP SIZE .187"

DESCRIPTION	MATERIAL	FINISH	QTY	UNLESS OTHERWISE SPECIFIED DIMENSIONS ARE IN MILLIMETERS. DIMENSIONS IN [] ARE IN INCHES AND FOR CUSTOMER REFERENCE ONLY.	APPROVALS	DATE	<h1 style="color: blue; margin: 0;">Amphenol Connex</h1>			
8					DRAWN	G.R.S.		07/01/04		
7					CHECKED					
6					ISSUED					
5	NUT	BRASS	NICKEL	1	SHEET	1 OF 1				
4	FERRULE	COPPER	NICKEL	1	PART DESCRIPTION BNC R/A CRIMP PLUG (AT&T 735A CABLE)					
3	CONTACT PIN	BRASS	GOLD	1						
2	INSULATOR	TEFLON	NATURAL	1	PART NO. 112962					
1	BODY	BRASS	NICKEL	1	DWG. NO. 112962.DWG <table style="float: right; border-collapse: collapse;"> <tr> <td style="border: 1px solid black; padding: 2px;">REV. A</td> <td style="border: 1px solid black; padding: 2px;">SIZE A</td> <td style="border: 1px solid black; padding: 2px;">SCALE NA</td> </tr> </table>			REV. A	SIZE A	SCALE NA
REV. A	SIZE A	SCALE NA								
				UNLESS OTHERWISE SPECIFIED DIMENSIONS ARE IN MILLIMETERS. DIMENSIONS IN [] ARE IN INCHES AND FOR CUSTOMER REFERENCE ONLY. TOLERANCES FOR MILLIMETERS ARE: 0.5 - 8mm ± 0.20mm 8 - 30mm ± 0.40mm 30 - 120mm ± 0.50mm UNLESS OTHERWISE SPECIFIED TOLERANCES FOR INCHES ARE: .020 - .315 = ± 0.007" .315 - 1.180 = ± 0.015" 1.180 - 4.724 = ± 0.020" DO NOT SCALE DRAWING	CAD FILE C:/112/112962.DWG					