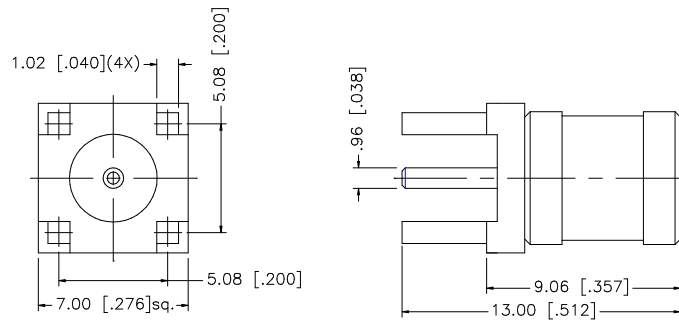


REV.	DATE	DESCRIPTION
NC	10/09/96	INITIAL RELEASE
A	05/29/07	UPDATE DRAWING FORMAT



8				UNLESS OTHERWISE SPECIFIED DIMENSIONS ARE IN MILLIMETERS. DIMENSIONS IN [] ARE IN INCHES AND FOR CUSTOMER REFERENCE ONLY.	APPROVALS	DATE	Amphenol Connex			
7					DRAWN	G.R.S.		05/29/07		
6				UNLESS OTHERWISE SPECIFIED TOLERANCES FOR MILLIMETERS ARE: 0.5 - 8mm ± 0.20mm 8 - 30mm ± 0.40mm 30 - 120mm ± 0.50mm	CHECKED		PART DESCRIPTION			
5					ISSUED			STRAIGHT SMB PLUG FOR P.C. BOARD		
4				UNLESS OTHERWISE SPECIFIED TOLERANCES FOR INCHES ARE: .020 - .315 = ± 0.007" .315 - 1.180 = ± 0.015" 1.180 - 4.724 = ± 0.020"	SHEET	1 OF 1	PART NO.			
3	CONTACT PIN	BRASS	GOLD		1			142134		
2	INSULATOR	TEFLON	NATURAL	1						
1	HOUSING/BODY	BRASS	GOLD	1						
	DESCRIPTION	MATERIAL	FINISH	QTY	DO NOT SCALE DRAWING	CAD FILE	DWG. NO.	REV.	SIZE	SCALE
						C:/142/142134.DWG	142134.DWG	A	A	NA