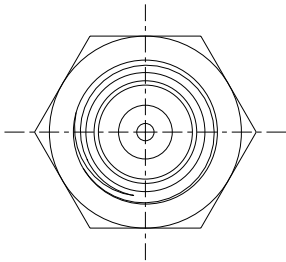


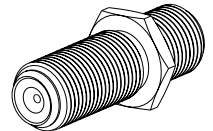
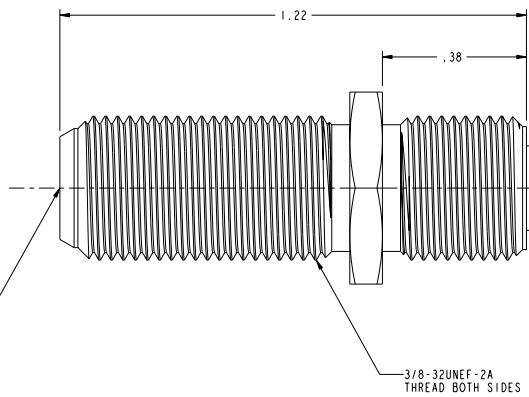
**NOTES:**

- MATERIALS:  
 CONTACT - BERYLLIUM COPPER, BRIGHT ACID TIN PLATE  
 INSULATOR - PTFE  
 BODY - BRASS, BRIGHT ACID TIN PLATE
- RETURN LOSS: 30 dB, TO 1GHz.

531-4008		REVISIONS			
DRAWING NO.	REV	DESCRIPTION	DATE	ECO	APPR
THIRD ANGLE PROJ.	A	OFFICIAL ENG. RELEASE TO MFG.	6/13/95	40759	ORB/ORB
	B	ADDED MEMBRANE SEAL	7/7/95	40794	ORB
	C	SEE SHEET I	7/25/95	40846	ORB
	D	SEE SHEET I	6/3/96	41388	JJD
	E	SEE SHEET I	5/22/97	41989	JW
	F	SEE SHEET I	4/3/06	45933	CPM



PROPRIETARY FEMALE CONTACT  
 ACCEPTS CENTER CONDUCTOR  
 RANGE  $\varnothing .022$  TO  $\varnothing .042$   
 BOTH SIDES.



**CUSTOMER OUTLINE DRAWING**  
 ALL OTHER SHEETS ARE FOR INTERNAL USE ONLY

UNLESS OTHERWISE SPECIFIED, DIMENSIONS ARE IN INCHES AND TOLERANCES ARE: 2 PLACE DECIMAL 3 PLACE DECIMAL ANGLES $\pm .015$ (0,381 mm) $\pm .005$ (0,127 mm) $\pm 1^\circ$	MATERIAL	DRAWN OWEN BARTHELMS DATE 05-Jun-95	TITLE	F RECEPTACLE FEMALE - FEMALE	Amphenol RF Danbury, CT, USA Tainan, Taiwan Shenzhen, China www.amphenolrf.com
	NOTICE - These drawings, specifications, or other data (1) are, and remain the property of Amphenol Corp. (2) must be returned upon request; and (3) are confidential and not to be disclosed to any person other than those to whom they are given by Amphenol Corp. The furnishing of these drawings, specifications, or other data by Amphenol Corp., or to any other person for any purpose is not to be regarded by implication or otherwise in any manner licensing, granting rights or permitting such holder or any other person to manufacture, use or sell any product, process or design, patented or otherwise, that may in any way be related to or disclosed by said drawings, specifications, or other data.	REFERENCE	ENGINEER OWEN BARTHELMS DATE 05-Jun-95		
		CAD FILE I:\CATV\FTYPE\531-40008	CODE ID 74868	DWG SIZE B	DRAWING NO. 531-40008
				SCALE: 4.0:1	SHEET 2 OF 2
				REV F	