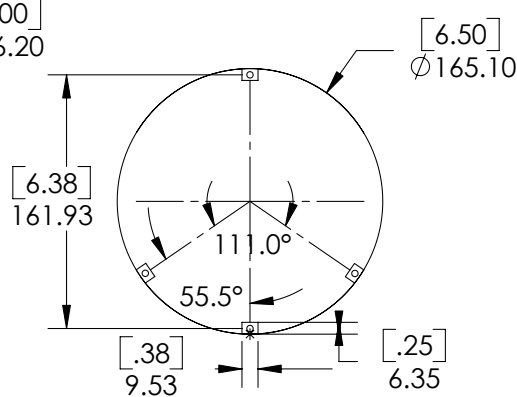
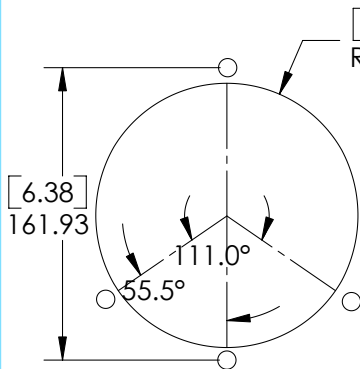


RECOMMENDED CUTOUTS

INLET (PROP) SIDE

EXHAUST (SPIDER) SIDE



CONTACT INFO: WWW.COMAIRROTRON.COM		SALES@COMAIRROTRON.COM
TOLERANCE UNLESS OTHERWISE SPECIFIED 2 PL. DEC. ± 0.3 [.8] 3 PL. DEC. ± 0.10 [.25] ANGULAR ± 30°	AMERICAN PROJECTION [EN] [MM]	(619) 661 - 6688 3D MODEL FOUND AT..
FALCON DC		