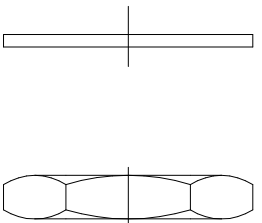
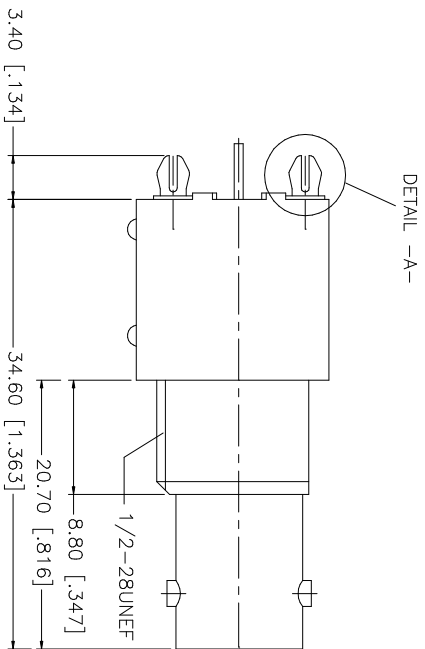
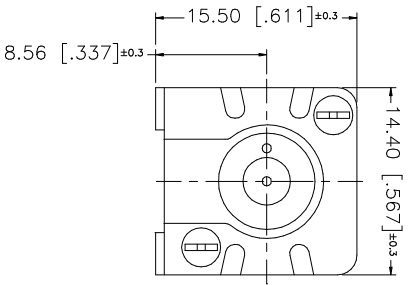
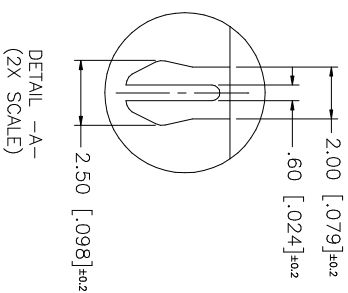
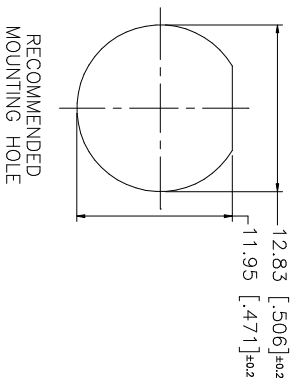
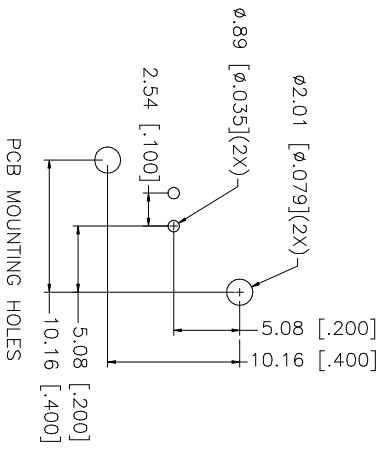


REV.	DATE	DESCRIPTION
A	02/24/04	UPDATE DRAWING FORMAT/MODIFY MOUNT POSTS



NOTE:  
1. MAX. PANEL THICKNESS = 5mm

QTY	FINISH	MATERIAL	DESCRIPTION
1	NICKEL	BRASS	HEX NUT
1	NICKEL	S50C	LOCK WASHER
1	NICKEL	BRASS	MOUNTING POST
1	GOLD	PHOS. BRONZE	CONTACT PIN
1	NATURAL	P.P.	INSULATOR
1	NICKEL	ZINC DIECAST	BODY
1	WHITE	P.P.	HOUSING
			DESCRIPTION

APPROVALS	DATE
DRAWN G.R.S.	02/24/04
CHECKED	
ISSUED	
SHEET 1 OF 1	

PART NO.	DWG. NO.	REV.	SIZE	SCALE
1122409	1122409.DWG	A	A	NA

UNLESS OTHERWISE SPECIFIED DIMENSIONS ARE IN INCHES AND FOR CUSTOMER REFERENCE ONLY.
TOLERANCES FOR MILLIMETERS ARE: 0.5 - 8mm ± 0.20mm 8 - 30mm ± 0.40mm 30 - 120mm ± 0.50mm
UNLESS OTHERWISE SPECIFIED TOLERANCES FOR INCHES ARE: .020 - .315 = ± 0.007" .315 - 1.180 = ± 0.015" 1.180 - 4.724 = ± 0.020"
DO NOT SCALE DRAWING

Amphenol Connex
BNC STRAIGHT PC MOUNT RECEIPT JACK