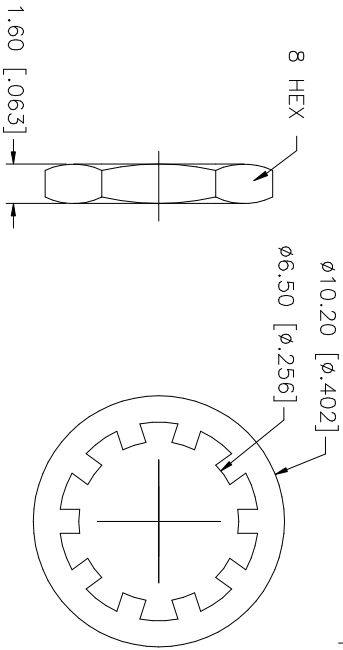
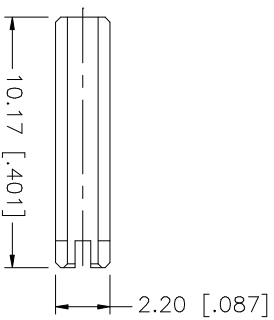
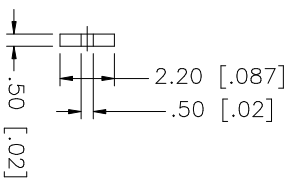
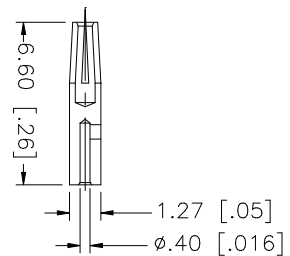
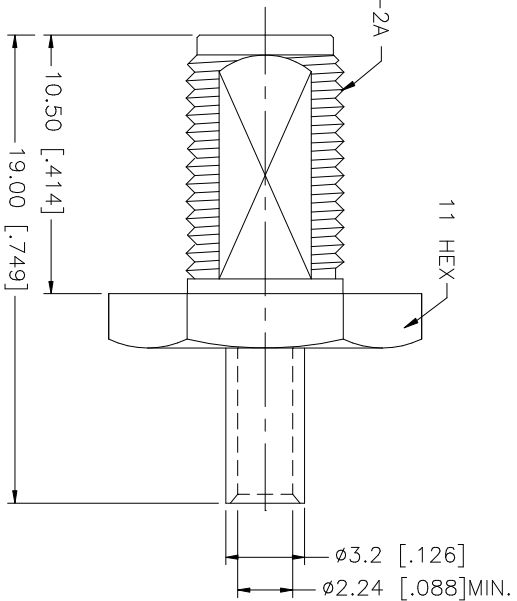
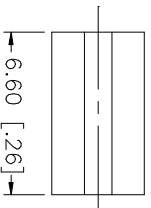
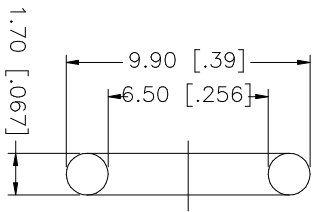
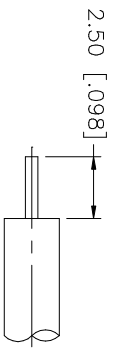


REV.	DATE	DESCRIPTION
A	11/12/03	MODIFY BODY LENGTH



NOTES:

1. CONTACT PIN TO SOLDER
2. MAX. PANEL THICKNESS = 2.4mm

QTY	DESCRIPTION	MATERIAL	FINISH	FINISH	QTY	DO NOT SCALE DRAWING	CAD FILE	APPROVALS	DATE	PART DESCRIPTION
1	INSULATOR BODY	BRASS	NATURAL	GOLD	1	1,180 - 4,724 = ± 0.020"	C:\132\132251.DWG			<p>Amphenol Connex</p> <p>PART DESCRIPTION</p> <p>SMA DIRECT SOLDER BULKHEAD JACK (FOR .047" SEMI RIGID CABLE)</p> <p>PART NO. 132251</p>
1	CONTACT PIN	BER. COPPER	GOLD	GOLD	1	.020 - .315 = ± 0.007"				
1	INSULATOR	TEFLON	NATURAL	GOLD	1	.315 - 1.180 = ± 0.015"				
1	GASKET	SILICONE	RED	RED	1	1,180 - 4,724 = ± 0.020"				
1	LOCK WASHER	BRASS	GOLD	GOLD	1	UNLESS OTHERWISE SPECIFIED TOLERANCES FOR MILLIMETERS: 0.5 - 8mm ± 0.20mm 8 - 30mm ± 0.40mm 30 - 120mm ± 0.50mm				
1	HEX NUT	BRASS	GOLD	GOLD	1	UNLESS OTHERWISE SPECIFIED TOLERANCES FOR INCHES ARE: 0.5 - 8mm ± 0.20mm 8 - 30mm ± 0.40mm 30 - 120mm ± 0.50mm				
1	SOLDER NUT	BRASS	GOLD	GOLD	1	UNLESS OTHERWISE SPECIFIED TOLERANCES FOR INCHES ARE: 0.5 - 8mm ± 0.20mm 8 - 30mm ± 0.40mm 30 - 120mm ± 0.50mm				
8	DESCRIPTION	MATERIAL	FINISH	FINISH	QTY	DO NOT SCALE DRAWING	CAD FILE	APPROVALS	DATE	PART DESCRIPTION