

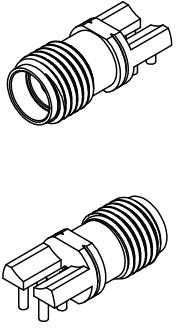
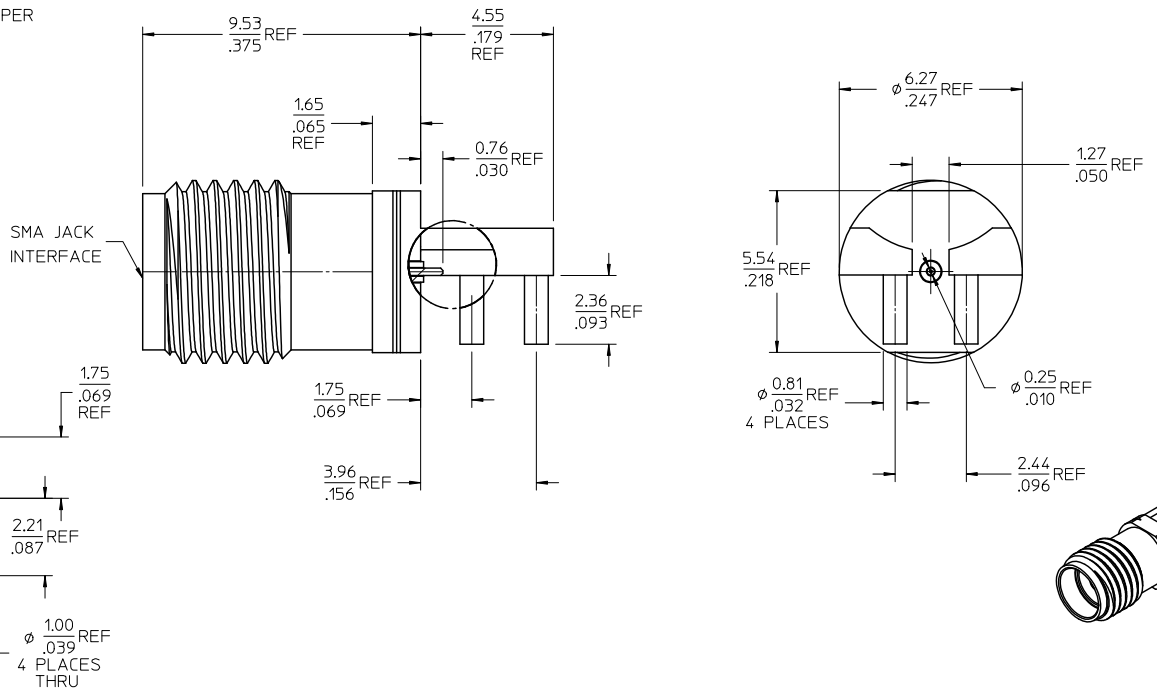
MATERIALS AND FINISHES

BODY BRASS
PLATED SEE TABLE

CENTER CONTACT BERYLLIUM COPPER
PLATED GOLD

INSULATOR TEFLON

COUPLING PROOF TORQUE:
0.90 N-m(8 IN-LB) MAXIMUM
WITH SUPPORT WRENCH



RECOMMENDED PCB LAYOUT

PS-89675-3670	PRODUCT SPECIFICATION
MIL-STD-348A, FIG. 310.2	INTERFACE
SPECIFICATION	DESCRIPTION

73251-3461	NICKEL
73251-3460	GOLD
PART NO.	PLATING/FINISH

CHG: UPDATE VIEW FOR INSULATOR LENGTH	EC NO. LPEF2009-0550	2009/03/24
DRWN: JWEENER	2009/03/24	
CHKD: SSRAH	2009/03/24	
APPR: JWEENER	2009/03/24	

QUALITY SYMBOLS ▽=0 ▽=0	GENERAL TOLERANCES (UNLESS SPECIFIED)	DIMENSION STYLE MM/IN	SCALE	DESIGN UNITS METRIC	THIRD ANGLE PROJECTION
	4 PLACES ± --- ± --- 3 PLACES ± --- ± --- 2 PLACES ± --- ± --- 1 PLACE ± --- ± --- ANGULAR ± 2 °	mm INCH	DRAWN BY SSS	DATE 2008/06/13	TITLE SMA JACK, PCB, EDMOUNT 50 OHMS, EWR3652 SMA-J/PCB
DRAFT WHERE APPLICABLE MUST REMAIN WITHIN DIMENSIONS	SIZE C	MATERIAL NO. SEE TABLE	APPROVED BY JDW	DATE 2008/06/13	MOLEX INCORPORATED
				DOCUMENT NO. SD-73251-346	SHEET NO. 1 OF 1