

4

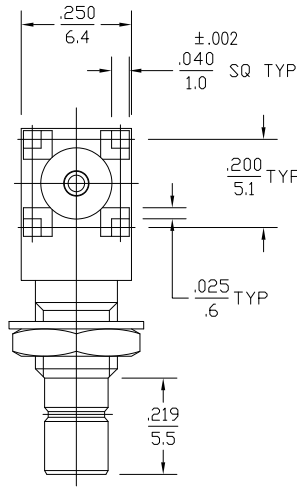
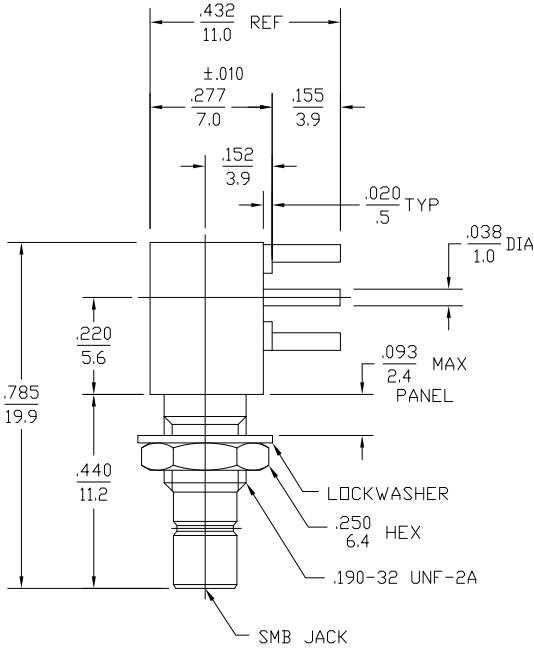
3

2

1

THIS DRAWING IS UNPUBLISHED. RELEASED FOR PUBLICATION  
 © COPYRIGHT - By - ALL RIGHTS RESERVED.

LOC		DST		REVISIONS			
P	LTR	DESCRIPTION	DATE	BY	APPD		
C1		REVISED PER ECO-11-005030	26MAR11	RK	HMR		



1060469-1  
 PART NUMBER

.XXX = in  
 XX.X = mm

NOTES:  
 1. CAPTURED CENTER CONTACT

COMPONENT	MATERIAL	FINISH
HOUSING, CAP, CENTER CONTACT & MOUNTING NUT	BRASS PER ASTM-B-16, HALF HARD	GOLD PLATE PER MIL-G-45204
DIELECTRIC	TFE FLUOROCARBON PER ASTM-D-1457	N/A
LOCKWASHER	PHOSPHOR BRONZE PER QQ-B-750, GRADE B2 OR TIN BRASS PER ASTM-B-591	GOLD PLATE PER MIL-G-45204

THIS DRAWING IS A CONTROLLED DOCUMENT.		DWG: A.KULLA 6/14/05 CHK: J. JONES 6/24/05 APP: J. JONES 6/25/05 EIC: J. JONES 6/25/05 NAME: J. JONES	
DIMENSIONS: INCHES DIMENSIONS: MILLIMETERS OTHER UNITS:	PRODUCT SPEC: EIC APPLICATION SPEC: EIC WEIGHT: - FINISH: -	NAME: J. JONES SIZE: A2 CAGE CODE: 00779 DRAWING NO: 1060469-1 RESTRICTED TO: - SCALE: 4:1 SHEET: 1 of 1 REV: C1	