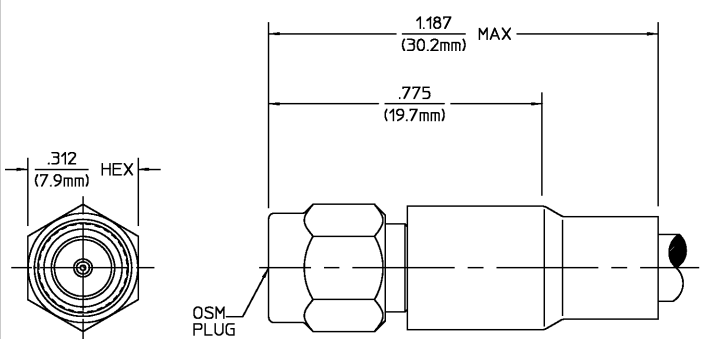


DESIGNED FOR USE WITH RG-141/U CABLE	REVISIONS	DATE	APPROVED
CABLE ENTRY DIAMETER MINIMUM	02 ₂ SEE ECN 80-0084	VM 3-28-80	TS 2/29/80
HOUSING	02 ₃ ECN 92-0010	JPD 05-27-92	MM 06/15/92
CONTACT	.119		
CONTACT	.040		
FERRULE	.216		



HOUSING	STAINLESS STEEL PER ASTM-A484 AND ASTM- A582, TYPE 303	GOLD PLATE PER MIL-G-45204 OVER NICKEL PLATE PER QQ-N-290
COUPLING NUT	STAINLESS STEEL PER ASTM-A484 AND ASTM- A582, TYPE 303	PASSIVATE PER ASTM-A380
DIELECTRIC	TFE FLUOROCARBON PER ASTM-D-1457	N/A
CENTER CONTACT	BERYLLIUM COPPER PER ASTM B 196, ALLOY C17300, CONDITION H	GOLD PLATE PER MIL-G-45204 OVER COPPER PLATE PER MIL-C-14550
RETAINING RING	BERYLLIUM COPPER PER ASTM B 194, ALLOY C17200, CONDITION H	N/A
GASKET	SILICONE RUBBER PER ZZ-R-765	N/A
SHRINK TUBING	HEAT SHRINKABLE POLYOLEFIN COMPOUND MIL-I-23053/4	N/A
FERRULE	COPPER OR BRASS ALLOY ROCKWELL F65 MAXIMUM	GOLD PLATE PER MIL-G-45204 OVER COPPER PLATE PER MIL-C-14550

COMPONENT	MATERIAL	FINISH
UNLESS OTHERWISE SPECIFIED DIMENSIONS ARE IN INCHES		
TOLERANCE ON		
FRAC.	DEC.	ANGLES
± 1/64	± .005	± °
DRAWN BY: DRF DATE: 10-12-76		
CHECKED BY: RBG 4/06/76		
APP'D BY: RMF 4/07/76		
AMP Incorporated 140 Fourth Avenue Waltham, MA 02451-7599		
TITLE: OSM STRAIGHT CABLE PLUG SOLDER ATTACHMENT		
USE ASSY PROCEDURE	408-04821 NO. AP. (20-039)	REV 02 ₃
SIZE: B	CODE IDENT. NO.: 26805	2031-5002-02
SCALE: 4 : 1	SHEET 1 OF 1	

CUSTOMER DRAWING AMP PART # 1051639-1 SHEET 1 OF 1 REV A