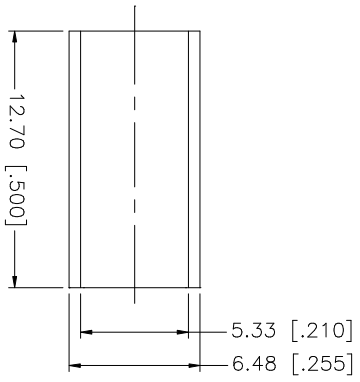
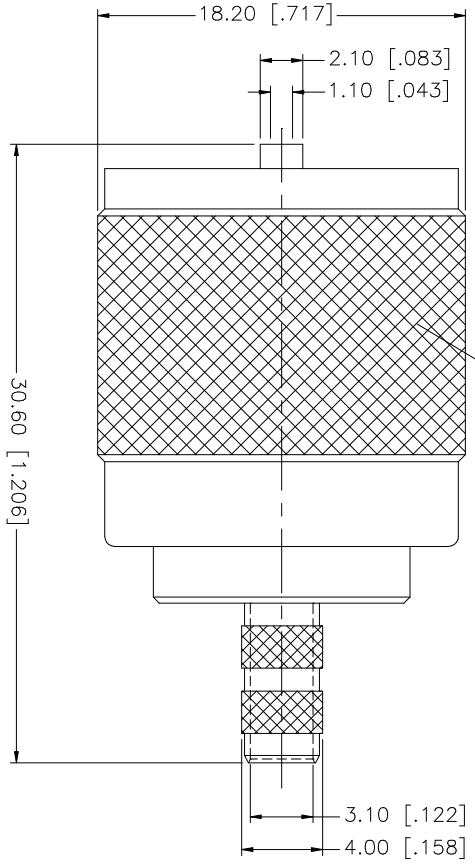
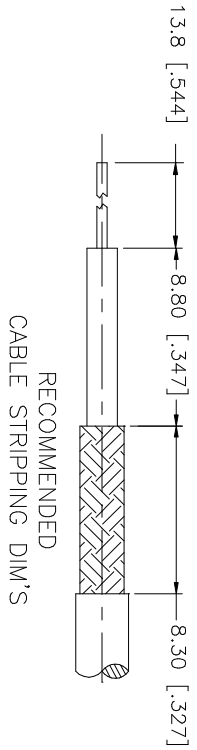


REV.	DATE	DESCRIPTION
A	02/27/01	ADD CABLE DESCRIPTION
B	07/29/02	MODIFY PART SIZE AND DESCRIPTION
C	01/17/06	UPDATE DRAWING FORMAT



QTY	DESCRIPTION	MATERIAL	FINISH	QTY	DO NOT SCALE DRAWING	APPROVALS	DATE	PART DESCRIPTION	
1	8 FERRULE	COPPER	NICKEL	1	UNLESS OTHERWISE SPECIFIED DIMENSIONS ARE IN INCHES AND FOR CUSTOMER REFERENCE ONLY. TOLERANCES FOR MILLIMETERS ARE: 0.5 - 8mm ± 0.20mm 8 - 30mm ± 0.40mm 30 - 120mm ± 0.50mm UNLESS OTHERWISE SPECIFIED TOLERANCES FOR INCHES ARE: .020 - .315 = ± 0.007" .315 - 1.180 = ± 0.015" 1.180 - 4.724 = ± 0.020"	DRAWN	G.R.S.	01/17/06	Amphenol Connex UHF CRIMP PLUG (FOR RG-142/U CABLE) 182310
1	7 HEX NUT	BRASS	NICKEL	1		CHECKED			
1	6 WASHER	BRASS	NICKEL	1		ISSUED			
1	4 GASKET	SILICONE	RED	1		SHEET	1 OF 1		
1	3 CONTACT PIN	BER. COPPER	GOLD	1		CAD FILE			
1	2 INSULATOR BODY	TEFLON BRASS	NATURAL NICKEL	1		DWG. NO.	182310.DWG		
1	1			1		REV.	C		
1	1			1		SIZE	A		
	DESCRIPTION	MATERIAL	FINISH	QTY				SCALE	NA