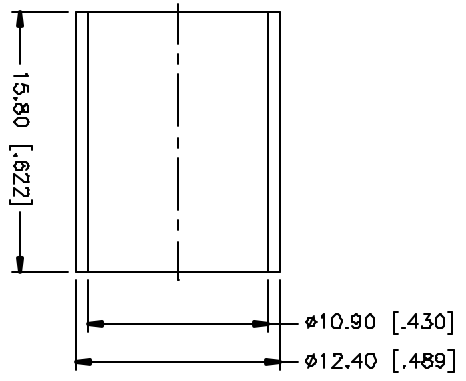
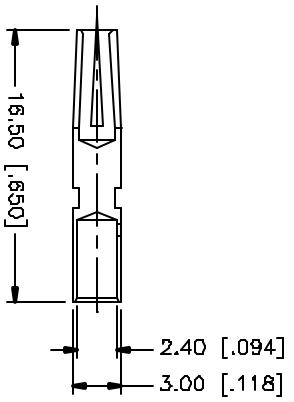
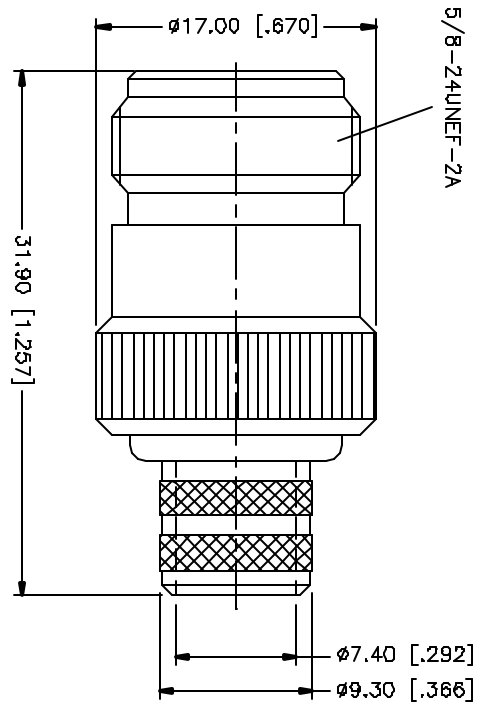
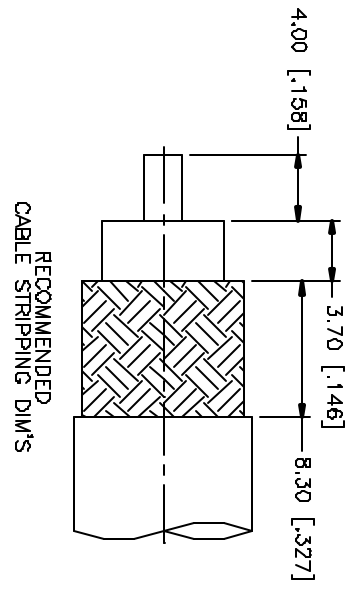


REV.	DATE	DESCRIPTION
A	09/07/04	UPDATE DRAWING FORMAT / MODIFY CONTACT PIN



NOTE:  
 1. CRIMPED FERRULE  
 HEX CRIMP SIZE .429"  
 2. CRIMPED CONTACT PIN  
 HEX CRIMP SIZE .100"

NO.	DESCRIPTION	MATERIAL	FINISH	QTY	UNLESS OTHERWISE SPECIFIED DIMENSIONS ARE IN INCHES AND DECIMAL FRACTIONS THEREOF. DIMENSIONS FOR MILLING ARE IN MILLIMETERS FOR MILLING ARE: 0.5 - 30mm ± 0.20mm B - 30mm ± 0.40mm 30 - 120mm ± 0.50mm UNLESS OTHERWISE SPECIFIED DIMENSIONS FOR INCHES ARE: .020 - .315 - ± 0.007" .315 - 1.180 - ± 0.014" 1.180 - 4.724 - ± 0.020"	APPROVALS	DATE	PART DESCRIPTION	PART NO.	DWG. NO.	REV.	SIZE	SCALE
8								<b>Amphenol Connex</b> N STRAIGHT CRIMP PLUG (FOR RG-8/U CABLE) 172105		172105.DWG	A	A	NA
7													
6													
5													
4	FERRULE	BRASS	NICKEL	1									
3	CONTACT PIN	PHOS. BRONZE	GOLD	1									
2	INSULATOR	TEFLON	NATURAL	1									
1	BODY	BRASS	NICKEL	1									
	DESCRIPTION	MATERIAL	FINISH	QTY									