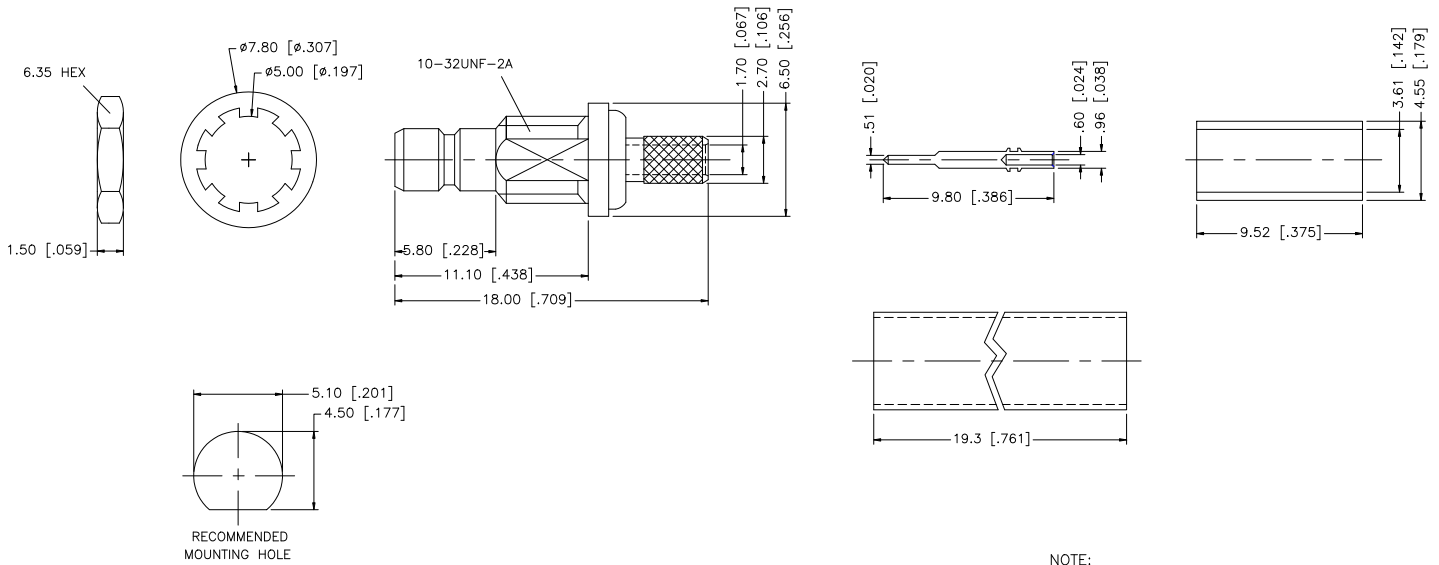
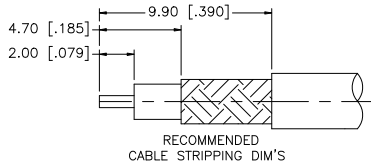


REV.	DATE	ECR NO.	DESCRIPTION
NC	01/25/99	-	INITIAL RELEASE
A	07/20/05	-	UPDATE DRAWING FORMAT
B	05/08/07	-	REVISE BARREL AND FERRULE DIMENSIONS
C	05/25/08	-	REVISE NOTE 1 TO .151" HEX, REMOVE NOTE 2.



- NOTE:
1. CRIMPED FERRULE HEX CRIMP SIZE .151"
 2. (REMOVED)
 3. MAX. PANEL THICKNESS = 2.4mm

				UNLESS OTHERWISE SPECIFIED DIMENSIONS ARE IN MILLIMETERS. DIMENSIONS IN [] ARE IN INCHES AND FOR CUSTOMER REFERENCE ONLY.	APPROVALS	DATE	<h1 style="text-align: center;">Amphenol Connex</h1>					
8												SMB BULKHEAD CRIMP JACK (FOR RG-316U/D CABLE)
7	HEAT SHRINK TUBE			1	DRAWN	G.R.S.	05/25/08	PART DESCRIPTION 142192				
6	FERRULE	COPPER	GOLD	1	CHECKED							PART NO. 142192
5	HEX NUT	BRASS	GOLD	1	ISSUED			DWG. NO. 142192.DWG				
4	LOCK WASHER	BRASS	GOLD	1	SHEET	1 OF 1						REV. C SIZE A SCALE NA
3	CONTACT PIN	BRASS	GOLD	1								
2	INSULATOR	TEFLON	NATURAL	1								
1	BODY	BRASS	GOLD	1								
DESCRIPTION				MATERIAL	FINISH	QTY	CAD FILE					
							C:/142/142192.DWG					

UNLESS OTHERWISE SPECIFIED DIMENSIONS ARE IN MILLIMETERS. DIMENSIONS IN [] ARE IN INCHES AND FOR CUSTOMER REFERENCE ONLY.

UNLESS OTHERWISE SPECIFIED TOLERANCES FOR MILLIMETERS ARE:
 0.5 - 8mm ± 0.20mm
 8 - 30mm ± 0.40mm
 30 - 120mm ± 0.50mm

UNLESS OTHERWISE SPECIFIED TOLERANCES FOR INCHES ARE:
 .020 - .315 = ± 0.007"
 .315 - 1.180 = ± 0.015"
 1.180 - 4.724 = ± 0.020"

DO NOT SCALE DRAWING

Amphenol Connex

**SMB BULKHEAD CRIMP JACK
(FOR RG-316U/D CABLE)**

142192

DWG. NO. 142192.DWG REV. C SIZE A SCALE NA