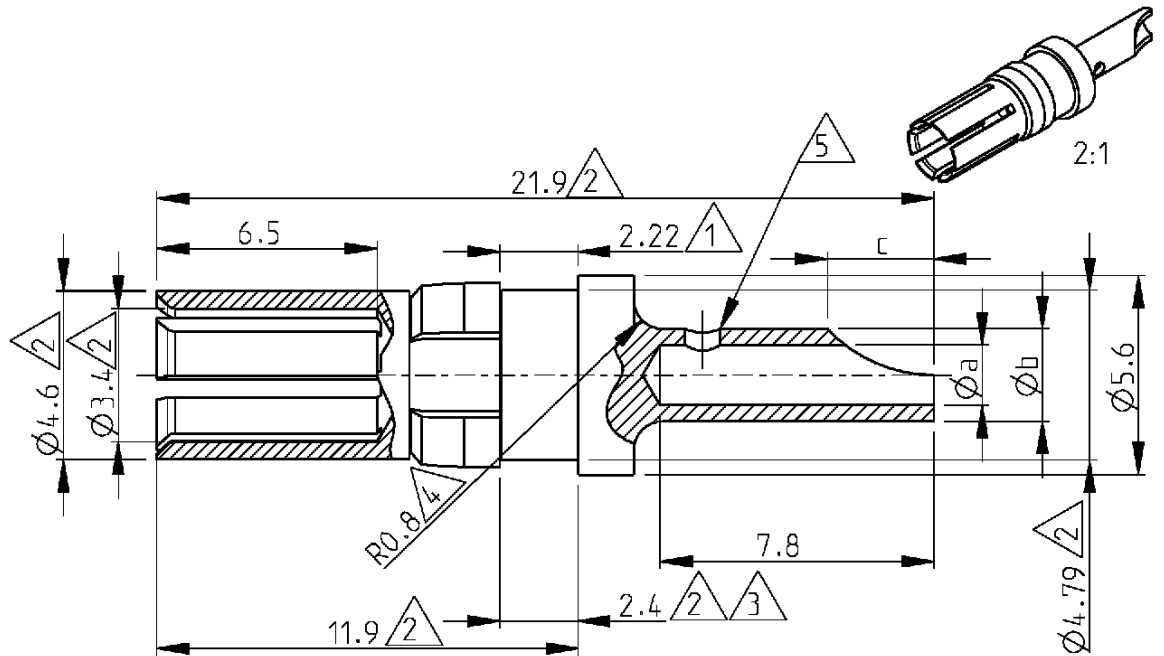


LOC	DIST	REVISIONS					
GW	-	P	LTR	DESCRIPTION	DATE	DWN	APVD
		A1		REVISED PER ECO-11-005294	06APR11	RK	HMR



6) Application : DIN 41612 type M.

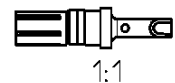
△5 Only on 1-1393589-1

△4 Not applicable on 1393589-7

△3 Measured with spring moved towards the mating face

△2 Max dimension

△1 Min dimension



Cross reference table							
Old part number	part number	Current	Øa	Øb	dim c	Material	Plating
1-1393589-1	C42334-A347-A96	10 A	1.7	2.6	3	Brass	1 µm Au or Pd in contact area
1393589-9	C42334-A347-A95	20 A	2.8	3.7	4	Brass	1 µm Au or Pd in contact area
1393589-7	C42334-A347-A94	40 A	4.8	5.6	5.2	Brass	1 µm Au or Pd in contact area

RELEASED FOR PUBLICATION

ALL RIGHTS RESERVED.

THIS DRAWING IS UNPUBLISHED.

COPYRIGHT

DIMENSIONS:		DWN	23APR2001	MATERIAL	-	FINISH	-
mm		CHK	23APR2001				
TOLERANCES UNLESS OTHERWISE SPECIFIED:		APVD	23APR2001				
0 PLC	#	PRODUCT SPEC	-				
1 PLC	#	APPLICATION SPEC	-	NAME			
2 PLC	#			High current socket with wire connection			
3 PLC	#			SIZE	CAGE CODE	DRAWING NO	RESTRICTED TO
4 PLC	#			A4	00779	C=1393589-7	-
ANGLES	±	WEIGHT	-	CUSTOMER DRAWING			SCALE
							5/1
							SHEET
							1
							OF
							1
							REV
							A1

