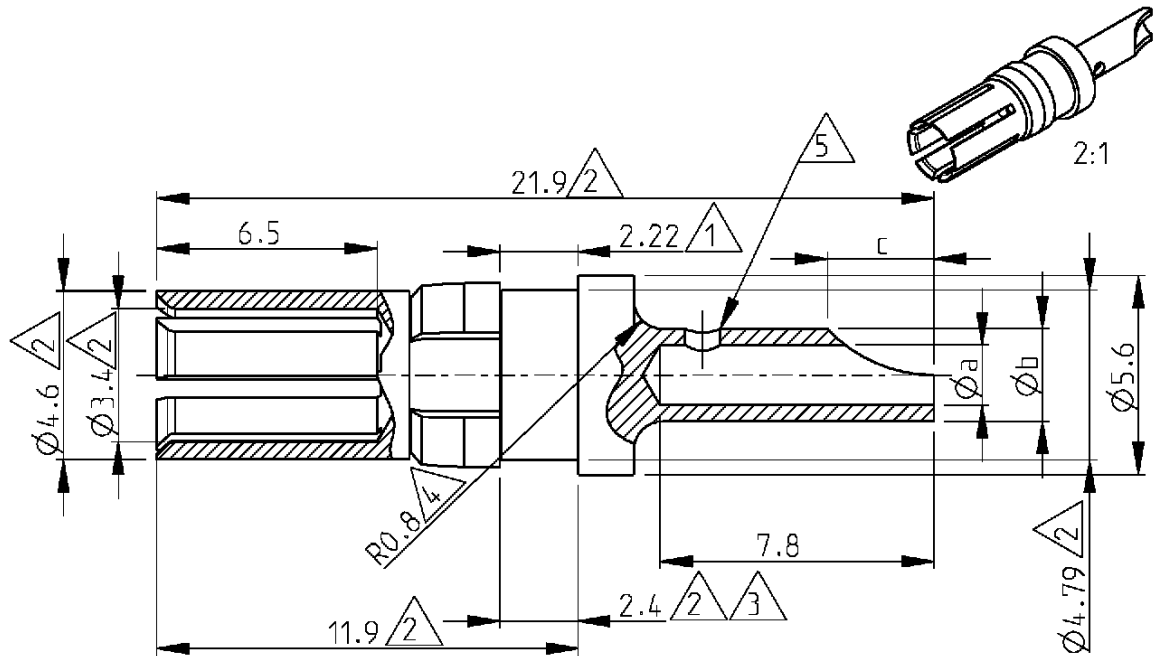


LOC	DIST	REVISIONS					
GW	-	P	LTR	DESCRIPTION	DATE	DWN	APVD
		A1		REVISED PER ECO-11-005294	06APR11	RK	HMR



6) Application : DIN 41612 type M.

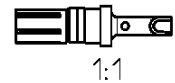
5 Only on 1-1393589-1

4 Not applicable on 1393589-7

3 Measured with spring moved towards the mating face

2 Max dimension

1 Min dimension



Cross reference table							
Old part number	part number	Current	ϕa	ϕb	dim c	Material	Plating
1-1393589-1	C42334-A347-A96	10 A	1.7	2.6	3	Brass	1 μ m Au or Pd in contact area
1393589-9	C42334-A347-A95	20 A	2.8	3.7	4	Brass	1 μ m Au or Pd in contact area
1393589-7	C42334-A347-A94	40 A	4.8	5.6	5.2	Brass	1 μ m Au or Pd in contact area

RELEASED FOR PUBLICATION

ALL RIGHTS RESERVED.

THIS DRAWING IS UNPUBLISHED.

COPYRIGHT

DIMENSIONS:		DWN	23APR2001	MATERIAL	-	FINISH	-	
mm		CHK	23APR2001					
TOLERANCES UNLESS OTHERWISE SPECIFIED:		APVD	23APR2001					
0 PLC	#	PRODUCT SPEC	-					
1 PLC	#	APPLICATION SPEC	-	NAME				High current socket with wire connection
2 PLC	#			SIZE	CAGE CODE	DRAWING NO	RESTRICTED TO	
3 PLC	#			A4	00779	C=1393589-7	-	
4 PLC	#			CUSTOMER DRAWING				
ANGLES	±	WEIGHT	-	SCALE	5/1	SHEET	1 OF 1	
				REV		A1		