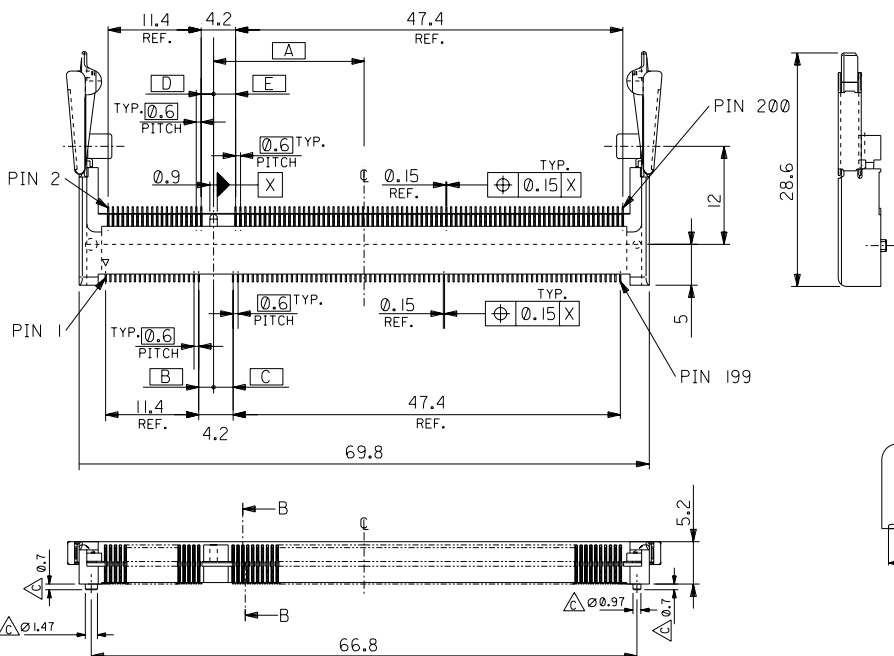


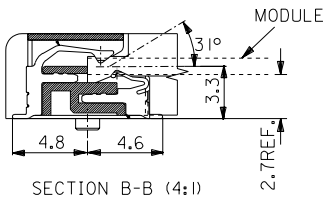
8 7 6 5 4 3 2 1



2.7	1.5	2.4	1.8	18.45	2.5V	X	67589-2005	PK-67589-001 (TRAY)
2.7	1.5	2.4	1.8	18.45	2.5V	X	67589-2003	PK-67589-002 (T&R)
1.8	2.4	1.5	2.7	17.55	1.8V		67589-2002	PK-67589-002 (T&R)
2.7	1.5	2.4	1.8	18.45	2.5V	X	67589-2001	PK-67589-001 (TRAY)
1.8	2.4	1.5	2.7	17.55	1.8V		67589-2000	PK-67589-001 (TRAY)
E	D	C	B	A	POWER SUPPLY	R	MATERIAL NO.	PACKAGING



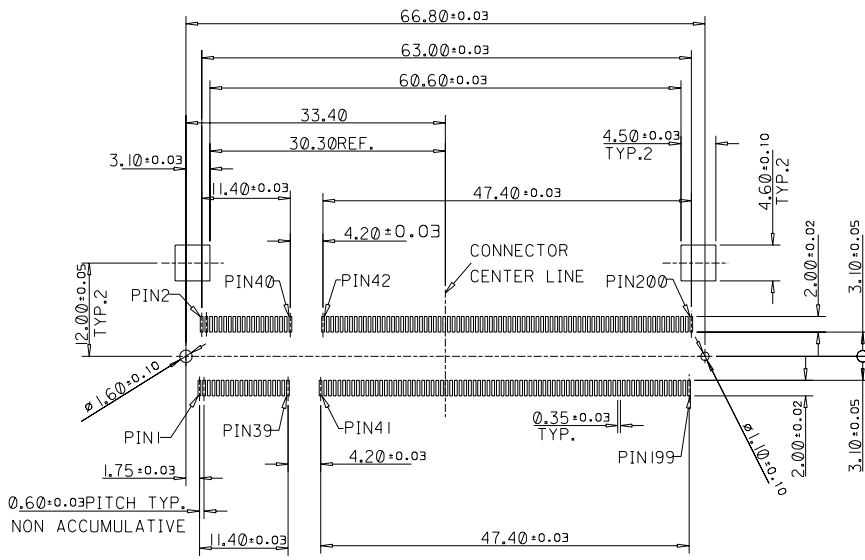
- NOTES:
- MATERIAL  
HOUSING: HIGH TEMPERATURE THERMOPLASTIC  
TERMINAL: COPPER ALLOY  
NAIL: COPPER ALLOY OR STAINLESS
  - FINISH  
TERMINAL: SELECTED GOLD PLATING IN CONTACT AREA AND SOLDER TAIL AREA  
NAIL: 2.0 MICROMETER TIN  
\* MATERIAL NO : 67589-2001  
SELECTED GOLD PLATING IN CONTACT AREA  
1.0 MICROMETER TIN-LEAD IN SOLDER TAIL AREA  
NAIL: 2.0 MICROMETER TIN-LEAD
  - TAIL COPLANARITY 0.1 MAXIMUM  
NAIL COPLANARITY 0.1 MAXIMUM
  - PRODUCT SPECIFICATION: PS-67589-001



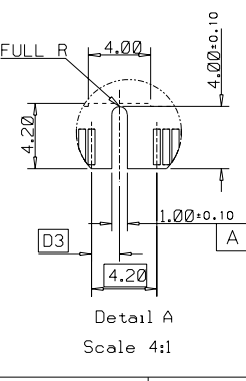
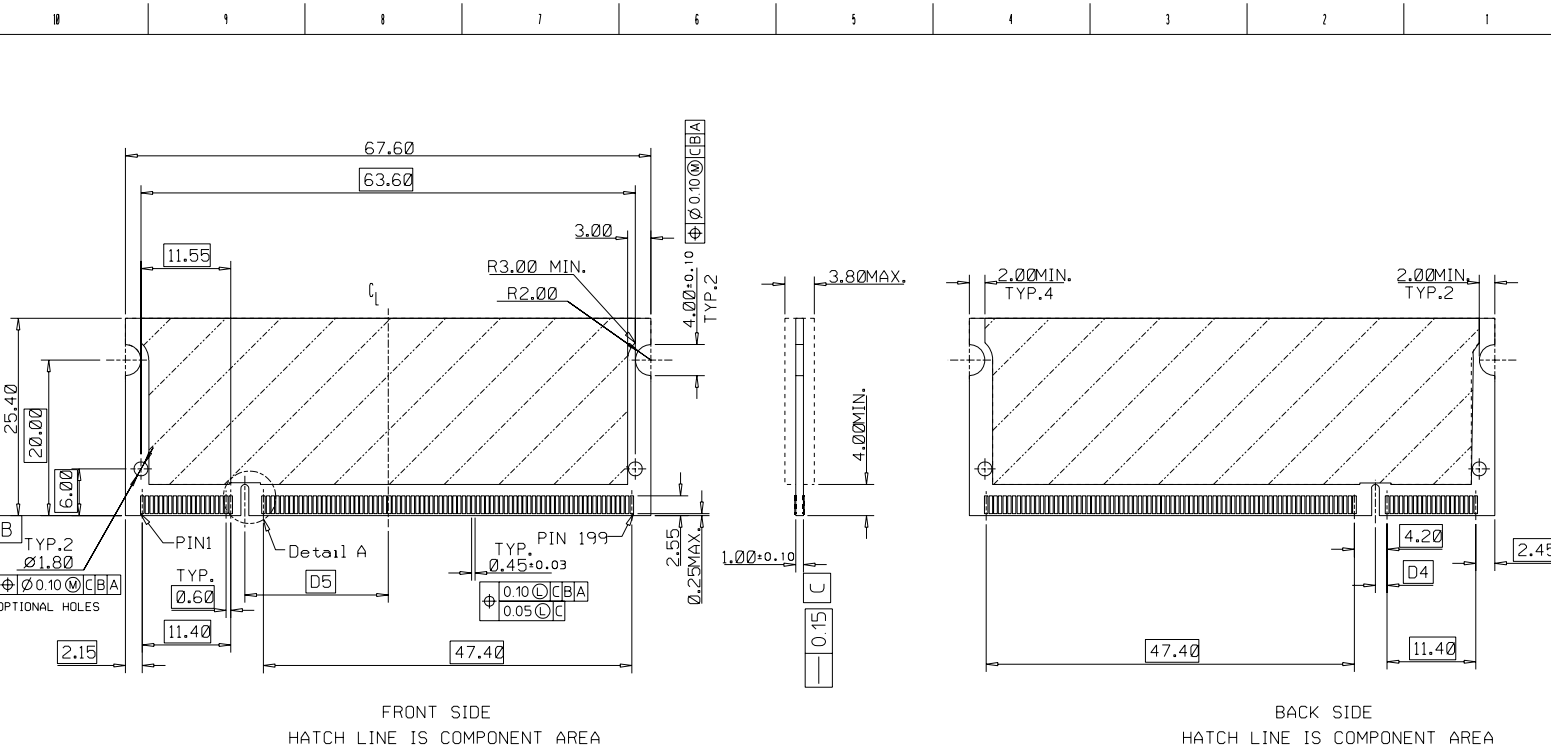
DO NOT SCALE DRAWING	CADFILE NO.	SIMILAR ITEM	EDP NO.	ENG. NO.
----------------------	-------------	--------------	---------	----------

ADD POST DIM. EC NO. T2004-0018 DRWN: EVITA '03/07/24 CHK: APPR:	ADDED NEW P/N EC NO. T2003-0249 DRWN: W.CHEN '03/03/10 CHK: APPR:	RELEASE EC NO. T2003-0077 DRWN: SAM '02/09/16 CHK: W.CHANG '02/09/17 APPR: E.LAN '02/09/17	QUALITY SYMBOLS MAJOR CRITICAL	GENERAL TOLERANCES: (UNLESS SPECIFIED)	SCALE 2:1 DESIGN UNITS <input checked="" type="checkbox"/> mm <input type="checkbox"/> INCH	DIMENSIONS: <input type="checkbox"/> mm <input type="checkbox"/> INCH <input type="checkbox"/> mm ONLY	SHT REV REVISE ON CAD ONLY	
				4 PLACES ± . 3 PLACES ± . 2 PLACES ±0.25 ±.010 1 PLACE ±0.25 ±.010 ANGULAR: ±3°	DRAWN BY & DATE SAM '01/09/24 CHECKED BY & DATE W.CHANG '01/09/25 APPROVED BY & DATE E.LAN '01/09/25 CAD FILENAME S6758901S01	TITLE: 0.6mm PITCH DDRSODIMM HS'G ASS'Y (H=5.2), STANDARD TYPE	MOLEX INCORPORATED MATERIAL NO. SEE TABLE DRAWING NO. SD-67589-001	
DRAFT WHERE APPLICABLE MUST REMAIN WITHIN DIMENSIONS				THIS DRAWING CONTAINS INFORMATION THAT IS PROPRIETARY TO MOLEX INCORPORATED AND SHOULD NOT BE USED WITHOUT WRITTEN PERMISSION.				SHEET NO. 1 OF 5 SIZE A3

CC: DGN REV A 96/06/12 LEVEL 3



ADD POST DIM. EC NO: T2004-0018 C DRWN: EVITA '03/07/24 CHKD: APPR:	ADDED NEW P/N EC NO: T2003-0249 B DRWN: W.CHEN '03/03/10 CHKD: APPR:	RELEASE EC NO: T2003-0077 A DRWN: SAM '02/09/16 CHKD: W.CHANG '02/09/17 APPR: E.LAN '02/09/17	QUALITY SYMBOLS ▽: 0 ▽: 0	GENERAL TOLERANCES (UNLESS SPECIFIED) mm    INCH 4 PLACES    +    + 3 PLACES    +    + 2 PLACES    +    + 1 PLACE    +    + ANGULAR    ±    .	SCALE 2:1 DESIGN UNITS mm THIRD ANGLE PROJECTION REVISE ON CAD ONLY	DRAWN BY SAM '01/09/24 CHECKED BY W.CHANG '01/09/25 APPROVED BY E.LAN '01/09/25	DATE DATE DATE	TITLE 0.6 mm PITCH DDR5SDIMM HS'G ASS'Y (H=5.2) STANDARD TYPE	MATERIAL NO. SEE TABLE	DOCUMENT NO. SD-67589-001	SHEET NO. 2
			DRAFT WHERE APPLICABLE MUST REMAIN WITHIN DIMENSIONS	CAD FILENAME S6758901.S02	THIS DRAWING CONTAINS INFORMATION THAT IS PROPRIETARY TO MOLEX INCORPORATED AND SHOULD NOT BE USED WITHOUT WRITTEN PERMISSION	MOLEX INCORPORATED	A3				



ADD POST DIM. EC NO: T2004-0018 DRAWN: EVITA '03/07/24 CHKD: APPR:	ADDED NEW P/N EC NO: T2003-0249 DRAWN: W.CHEN '03/03/10 CHKD: APPR:	RELEASE EC NO: T2003-0077 DRAWN: SAM '02/09/16 CHKD: W.CHANG '02/09/17 APPR: E.LAN '02/09/17
--	---	--

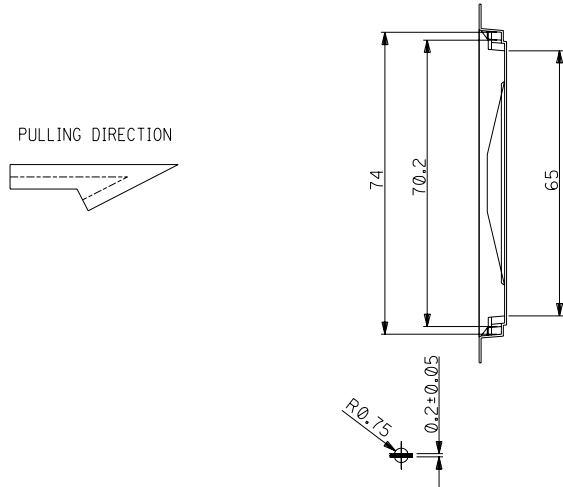
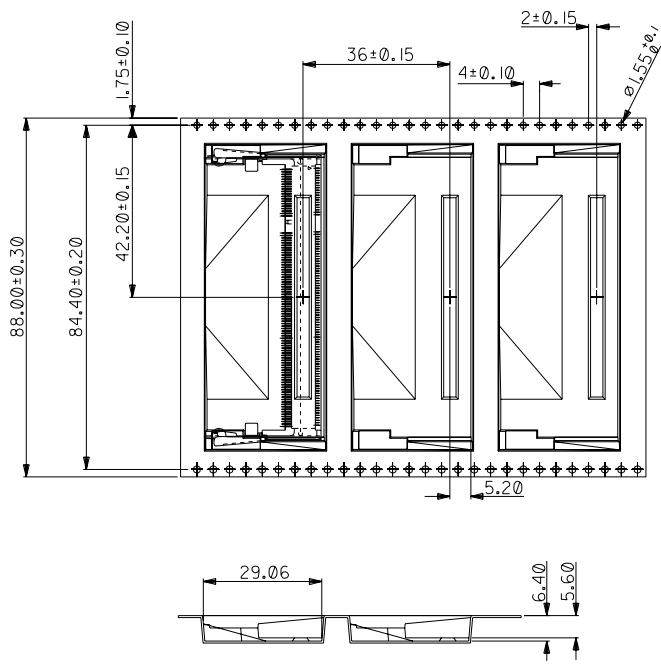
QUALITY SYMBOLS	DESCRIPTION
⊙	
▽	

GENERAL TOLERANCES (UNLESS SPECIFIED)	
	mm
	INCH
4 PLACES	±
3 PLACES	±
2 PLACES	±0.25
1 PLACE	±0.25
ANGULAR ±3°	
DRAFT WHERE APPLICABLE	
MUST REMAIN WITHIN DIMENSIONS	

SCALE 1:1	DESIGN UNITS mm
DRAWN BY SAM	DATE 01/09/24
CHECKED BY W.CHANG	DATE 01/09/25
APPROVED BY E.LAN	DATE 01/09/25
CAD FILENAME S6758901.S03	

1.8V	17.55	2.4	2.7
2.5V	18.45	1.5	1.8
POWER SUPPLY	D5	D4	D3
THIRD ANGLE PROJECTION			
REVISE ON CAD ONLY			
TITLE 0.6 mm PITCH DDSDIMM HS'G ASS'Y (H=5.2) STANDARD TYPE			
MOLEX INCORPORATED			
MATERIAL NO. SEE TABLE	DOCUMENT NO. SD-67589-001	SHEET NO. 3	
THIS DRAWING CONTAINS INFORMATION THAT IS PROPRIETARY TO MOLEX INCORPORATED AND SHOULD NOT BE USED WITHOUT WRITTEN PERMISSION			A3

8 7 6 5 4 3 2 1



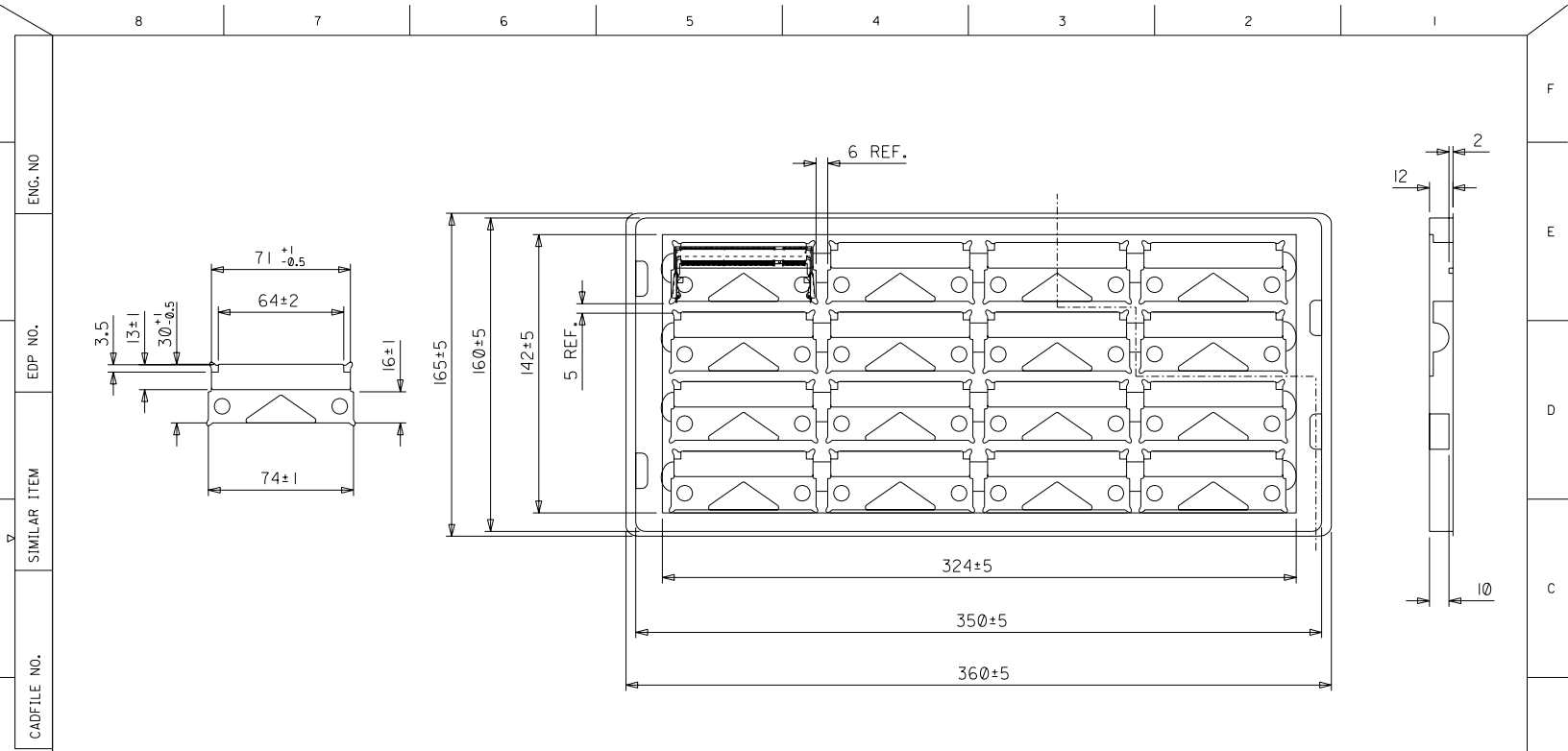
### T & R PACKAGING

C	ADD. POST. DIM. EC NO. T2004-0018 DRWG. EVITA '03/07/24 CHK: APPR:	B	ADDED NEW P/N EC NO. T2003-0249 DRWG. W.CHEN '03/03/10 CHK: APPR:	A	RELEASE EC NO. T2003-0077 DRWG. SAM '02/09/16 CHK: W.CHANG '02/09/17 APPR: E.LAN '02/09/17	QUALITY SYMBOLS MAJOR CRITICAL	GENERAL TOLERANCES: (UNLESS SPECIFIED)	SCALE 2:1	DESIGN UNITS <input checked="" type="checkbox"/> mm <input type="checkbox"/> INCH	THIRD ANGLE PROJECTION	DIMENSIONS: <input type="checkbox"/> mm <input type="checkbox"/> INCH <input type="checkbox"/> mm ONLY	SHT	REV
	4 PLACES ± .		3 PLACES ± .		2 PLACES ±0.25 ±0.10	1 PLACE ±0.25 ±0.10	ANGULAR: ±3°	DRAWN BY & DATE SAM '01/09/24	CHECKED BY & DATE W.CHANG '01/09/25	TITLE: 0.6mm PITCH DDRSODIMM HS'G ASS'Y (H=5.2), STANDARD TYPE	MATERIAL NO. SEE TABLE	DRAWING NO. SD-67589-001	SHEET NO. 4

DRAFT WHERE APPLICABLE MUST REMAIN WITHIN DIMENSIONS

THIS DRAWING CONTAINS INFORMATION THAT IS PROPRIETARY TO MOLEX INCORPORATED AND SHOULD NOT BE USED WITHOUT WRITTEN PERMISSION.

CC.DGN REV. A  
96/06/12 LEVEL 3



### TRAY PACKAGING

C	ADD. POST. DIM. EC NO. T2003-0016 DRWG. EVITA '03/07/24 CHK: APPR:	B	ADDED NEW P/N EC NO. T2003-0249 DRWG. W.CHEN '03/03/10 CHK: APPR:	A	RELEASE EC NO. T2003-0077 DRWG. SAM '02/09/16 CHK: W.CHANG '02/09/17 APPR: E.LAN '02/09/17	QUALITY SYMBOLS MAJOR CRITICAL	GENERAL TOLERANCES: (UNLESS SPECIFIED)	SCALE 2:1	DESIGN UNITS <input checked="" type="checkbox"/> mm <input type="checkbox"/> INCH	THIRD ANGLE PROJECTION	DIMENSIONS: <input type="checkbox"/> mm <input type="checkbox"/> INCH <input type="checkbox"/> mm ONLY	SHT	REV
	4 PLACES ± .		3 PLACES ± .		2 PLACES ± 0.25	1 PLACE ± 0.25	ANGULAR: ± 3°	DRAWN BY & DATE SAM '01/09/24	CHECKED BY & DATE W.CHANG '01/09/25	APPROVED BY & DATE E.LAN '01/09/25	CAD FILENAME S6758901.S05	TITLE: 0.6mm PITCH DDRSODIMM HS'G ASS'Y (H=5.2), STANDARD TYPE	MATERIAL NO. SEE TABLE
DO NOT SCALE DRAWING						DESCRIPTION	DRAFT WHERE APPLICABLE MUST REMAIN WITHIN DIMENSIONS		THIS DRAWING CONTAINS INFORMATION THAT IS PROPRIETARY TO MOLEX INCORPORATED AND SHOULD NOT BE USED WITHOUT WRITTEN PERMISSION.				SIZE A3

CC.DGN REV. A  
96/06/12 LEVEL 3