

Customer Information Sheet

DRAWING No.: M20-949XX45

SHEET 2 OF 2

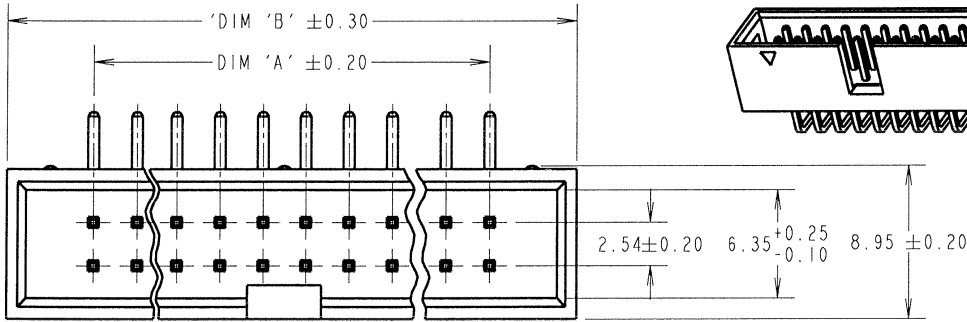
IF IN DOUBT - ASK

(C)

NOT TO SCALE

THIRD ANGLE PROJECTION

ALL DIMENSIONS IN mm



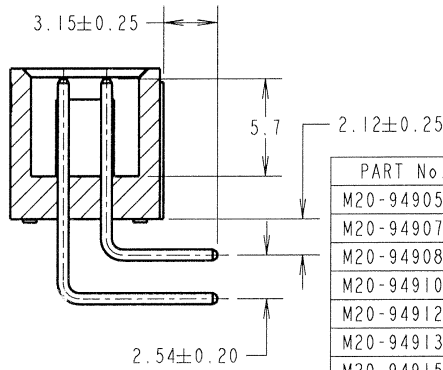
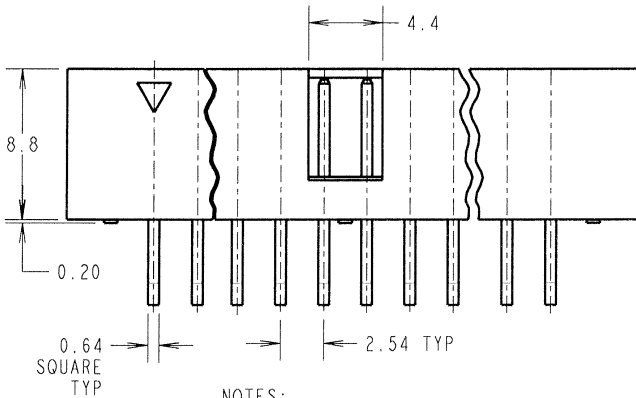
SPECIFICATIONS:

MATERIAL:
 MOULDING = NYLON 6T, UL94V-0, BLACK
 CONTACT = BRASS
FINISH:
 45 = GOLD FLASH OVER NICKEL
ELECTRICAL:
 CURRENT RATING = 3A (AT 25°C)
 INSULATION RESISTANCE:
 INITIAL = 1,000,000Ω MIN
 AFTER CONDITIONING = 10,000Ω MIN
 CONTACT RESISTANCE:
 INITIAL = 15mΩ MAX
 AFTER CONDITIONING = 25mΩ MAX
 VOLTAGE PROOF = 750V AC/DC
MECHANICAL:
 DURABILITY = 300 OPERATIONS
ENVIRONMENTAL:
 OPERATING TEMP = -40°C TO +105°C

ORDER CODE:

M20-949XX45

No. OF WAYS PER ROW
 SEE TABLE
 FINISH:
 45 = GOLD



NOTES:

1. RECOMMENDED HOLE SIZE = $\varnothing 1.02\text{mm}$
2. FOR COMPLETE ELECTRICAL/MECHANICAL SPECIFICATION SEE COMPONENT SPEC C001XX (LATEST ISSUE).

PART No.	DIM A	DIM B
M20-9490545	10.16	20.30
M20-9490745	15.24	25.40
M20-9490845	17.78	27.95
M20-9491045	22.85	33.05
M20-9491245	27.94	38.15
M20-9491345	30.48	40.65
M20-9491545	35.56	45.70
M20-9491745	40.64	50.80
M20-9492045	48.26	58.40
M20-9492545	60.96	71.12

JMB	6	26.01.07	9663
NAME	ISS.	DATE	C/NOTE
APPROVED:			
CHECKED:			
DRAWN: JM BROOKES			
CUSTOMER REF.:			
ASSEMBLY DRG:			

HARWIN

HARWIN INC U.S.A. TEL: (812) 542 2540 FAX: (812) 542 2541	HARWIN PLC U.K. TEL: 023 9231 4545 FAX: 023 9231 4590	HARWIN PTE SINGAPORE TEL: 65 6779 4909 FAX: 65 6779 3868
--	--	---

THIS DRAWING AND ANY INFORMATION OR DESCRIPTIVE MATTER SET OUT HEREON ARE CONFIDENTIAL AND COPYRIGHT PROPERTY OF THE HARWIN GROUP AND MUST NOT BE DISCLOSED, LOANED, COPIED OR USED FOR MANUFACTURING, TENDERING OR FOR ANY OTHER PURPOSE WITHOUT THEIR WRITTEN PERMISSION.

TOLERANCES
 X. = ±1mm
 X.X = ±0.25mm
 X.XX = ±0.10mm
 X.XXX = ±0.01mm
 ANGLES = ±5°
 UNLESS STATED

MATERIAL:
 SEE ABOVE
FINISH: SEE ABOVE
S/AREA: mm²

TITLE:
 2.54mm PITCH DIL 90°
 BOX PIN HEADER
DRAWING NUMBER:
M20-949XX45
 SHT 2 OF 2