

# Customer Information Sheet

DRAWING No.: M20-948XX45

SHEET 2 OF 2

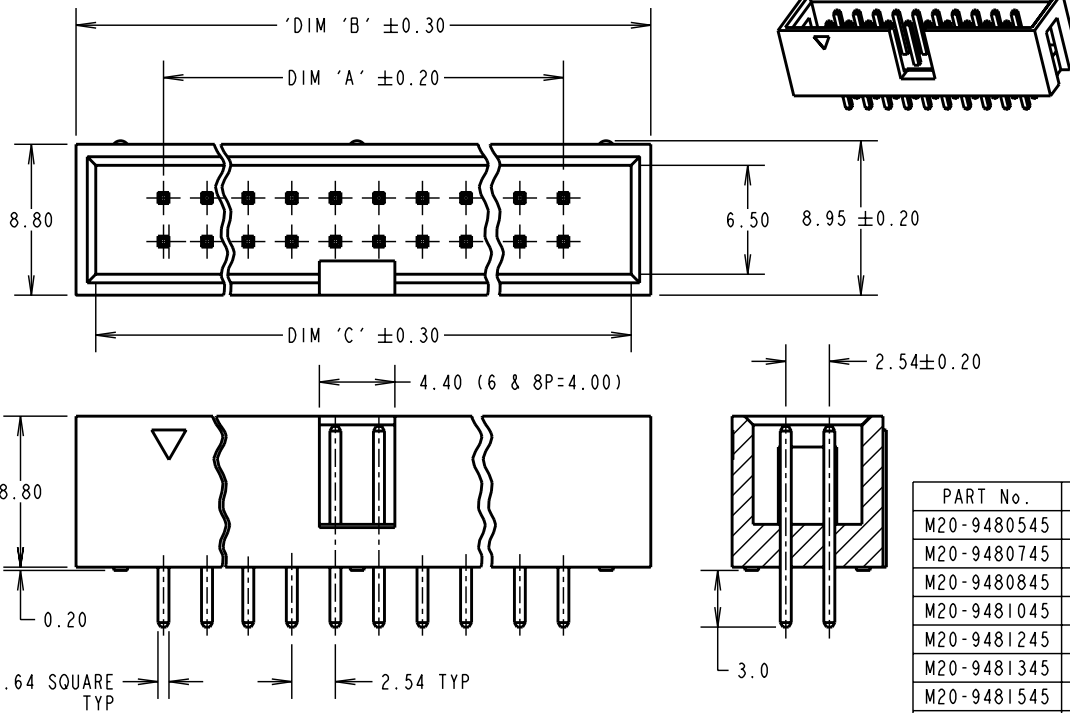
IF IN DOUBT - ASK

©

NOT TO SCALE

THIRD ANGLE PROJECTION

ALL DIMENSIONS IN mm



**SPECIFICATIONS:**

**MATERIAL:**  
 MOULDING = NYLON 6T, UL94V-0, BLACK  
 CONTACT = BRASS  
**FINISH:**  
 45 = GOLD FLASH OVER NICKEL  
**ELECTRICAL:**  
 CURRENT RATING = 3A (AT 25°C)  
 INSULATION RESISTANCE:  
 INITIAL = 1,000,000Ω MIN  
 AFTER CONDITIONING = 10,000Ω MIN  
 CONTACT RESISTANCE:  
 INITIAL = 15mΩ MAX  
 AFTER CONDITIONING = 25mΩ MAX  
 VOLTAGE PROOF = 750V AC/DC  
**MECHANICAL:**  
 DURABILITY = 300 OPERATIONS  
**ENVIRONMENTAL:**  
 OPERATING TEMP = -40°C TO +105°C

**ORDER CODE:**  
**M20-948XX45**  
 No. OF WAYS PER ROW ———  
 SEE TABLE  
**FINISH:**  
 45 = GOLD

PART No.	DIM A	DIM B	DIM C
M20-9480545	10.16	20.32	18.02
M20-9480745	15.24	25.40	23.10
M20-9480845	17.78	27.94	25.64
M20-9481045	22.85	33.02	27.72
M20-9481245	27.94	38.10	35.80
M20-9481345	30.48	40.64	38.34
M20-9481545	35.56	45.72	43.42
M20-9481745	40.64	50.80	48.50
M20-9482045	48.26	58.42	56.12
M20-9482545	60.96	71.12	68.82

CP	7	08.09.09	10470
NAME	ISS.	DATE	C/NOTE
APPROVED: C.PENROSE			
CHECKED: R.ADDE			
DRAWN: JM BROOKES			
CUSTOMER REF.:			
ASSEMBLY DRG:			

**NOTES:**  
 1. RECOMMENDED HOLE SIZE =  $\varnothing$ 1.02mm  
 2. FOR COMPLETE ELECTRICAL/MECHANICAL SPECIFICATION SEE COMPONENT SPEC CO01XX (LATEST ISSUE).

**HARWIN**

**HARWIN USA**  
 TEL: 603 893 5376  
 FAX: 603 893 5396  
 mis@harwin.com

**HARWIN Europe (UK)**  
 TEL: 023 9231 4545  
 FAX: 023 9231 4590  
 mis@harwin.co.uk

**HARWIN Asia**  
 TEL: +65 6 779 4909  
 FAX: +65 6 779 3868  
 mis@harwin.com.sg

THIS DRAWING AND ANY INFORMATION OR DESCRIPTIVE MATTER SET OUT HEREON ARE CONFIDENTIAL AND COPYRIGHT PROPERTY OF THE HARWIN GROUP AND MUST NOT BE DISCLOSED, LOANED, COPIED OR USED FOR MANUFACTURING, TENDERING OR FOR ANY OTHER PURPOSE WITHOUT THEIR WRITTEN PERMISSION.

**TOLERANCES**  
 X. =  $\pm$ 1mm  
 X.X =  $\pm$ 0.25mm  
 X.XX =  $\pm$ 0.10mm  
 X.XXX =  $\pm$ 0.01mm  
 ANGLES =  $\pm$ 5°  
 UNLESS STATED

**MATERIAL:**  
 SEE ABOVE

**FINISH:**  
 SEE ABOVE

**S/AREA:**  
 mm<sup>2</sup>

**TITLE:**  
 2.54mm PITCH DIL VERTICAL BOX PIN HEADER

**DRAWING NUMBER:**  
**M20-948XX45**

SHT 2 OF 2