

# Customer Information Sheet

DRAWING No.: M20-876XXXXP

SHEET 3 OF 3

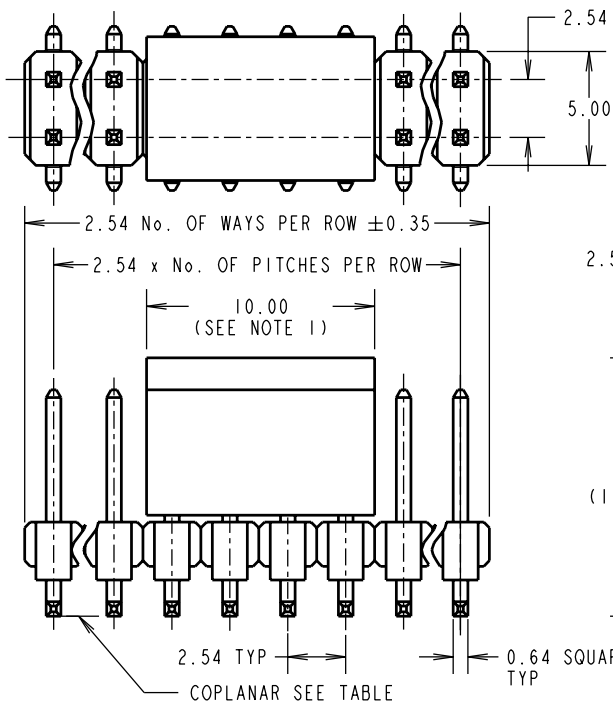
IF IN DOUBT - ASK

©

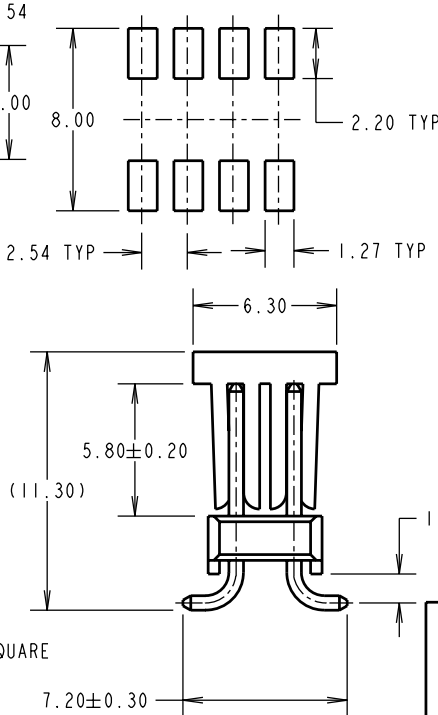
NOT TO SCALE

THIRD ANGLE PROJECTION

ALL DIMENSIONS IN mm



### RECOMMENDED PAD LAYOUT



### SPECIFICATION:

MATERIAL:  
MOULDING = NYLON 6T UL94V-0, BLACK  
CONTACT = BRASS  
FINISH:  
42 = SELECTIVE GOLD ON CONTACT AREA, 100% TIN ON TAILS  
46 = 100% TIN  
ELECTRICAL:  
CURRENT RATING = 3A MAX  
CONTACT RESISTANCE = 30 mΩ MAX (TIN), 25 mΩ MAX (GOLD)  
INSULATION RESISTANCE = 1,000 MΩ MIN  
DIELECTRIC STRENGTH = 750V AC/DC  
MECHANICAL:  
DURABILITY = 50 OPERATIONS (TIN), 300 OPERATIONS (GOLD)  
ENVIRONMENTAL:  
TEMPERATURE RANGE = -40°C TO +105°C  
PACKING:  
TUBE  
FOR COMPLETE SPECIFICATION, SEE COMPONENT SPECIFICATION CO01XX (LATEST ISSUE)

No OF CONTACTS	COPLANARITY TOLERANCE
2x02 TO 2x12	0.10mm MAX
2x13 TO 2x20	0.15mm MAX
2x21 TO 2x36	0.20mm MAX

- NOTES:  
1. FOR 4+4-WAYS AND LESS, CAP LENGTH = 6.00mm.  
2. SEE M20-876XXXXR FOR TAPE & REELED VERSION, M20-876XXXX FOR STANDARD PRODUCT.  
3. CO-PLANARITY: FLATNESS OF SMT TAILS MUST NOT EXCEED VALUES GIVEN IN TABLE.  
4. ALL TOLERANCES ARE ±0.15 UNLESS OTHERWISE STATED.

### ORDER CODE:

**M20-876XXXXP**

No. OF WAYS: \_\_\_\_\_  
02 TO 36

FINISH: \_\_\_\_\_  
42 = SELECTIVE GOLD + 100% TIN  
46 = 100% TIN

RB	8	03.09.08	10132
NAME	ISS.	DATE	C/NOTE
APPROVED: R.BROCKBANK			
CHECKED: M.PLESTED			
DRAWN: A. J. FILLINGHAM			
CUSTOMER REF.:			
ASSEMBLY DRG:			

**HARWIN**

HARWIN USA  
TEL: 603 893 5376  
FAX: 603 893 5396  
mis@harwin.com

HARWIN Europe (UK)  
TEL: 023 9231 4545  
FAX: 023 9231 4590  
mis@harwin.co.uk

HARWIN Asia  
TEL: +65 6 779 4909  
FAX: +65 6 779 3868  
mis@harwin.com.sg

THIS DRAWING AND ANY INFORMATION OR DESCRIPTIVE MATTER SET OUT HEREON ARE CONFIDENTIAL AND COPYRIGHT PROPERTY OF THE HARWIN GROUP AND MUST NOT BE DISCLOSED, LOANED, COPIED OR USED FOR MANUFACTURING, TENDERING OR FOR ANY OTHER PURPOSE WITHOUT THEIR WRITTEN PERMISSION.

TOLERANCES  
X. = ±1mm  
X.X = ±0.25mm  
X.XX = ±0.10mm  
X.XXX = ±0.01mm  
ANGLES = ±5°  
UNLESS STATED

MATERIAL:

SEE ABOVE

FINISH: SEE ABOVE

S/AREA:

mm<sup>2</sup>

TITLE: 2.54mm PITCH DIL SMT PIN HEADER ASSEMBLY WITH PICK & PLACE CAP

DRAWING NUMBER:

**M20-876XXXXP**

SHT  
3  
OF  
3