

Customer Information Sheet

DRAWING No.: M80-614XXX SHEET 2 OF 2 IF IN DOUBT - ASK © NOT TO SCALE THIRD ANGLE PROJECTION ALL DIMENSIONS IN mm

SPECIFICATION

MATERIALS:
 MOULDING = HIGH-TEMP. POLYAMIDE 46 UL94V-0
 CLIP = BERYLLIUM COPPER
 BODY = BRASS

FINISH:
 42 = 3.5/5.0µ 100% TIN BODY, 0.3µ GOLD CLIP
 45 = 0.25/0.3µ GOLD BODY, 0.3µ GOLD CLIP

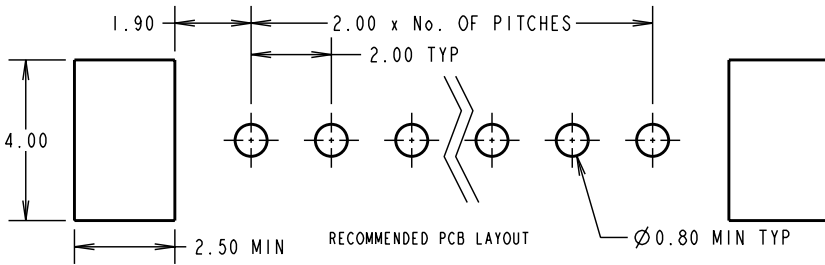
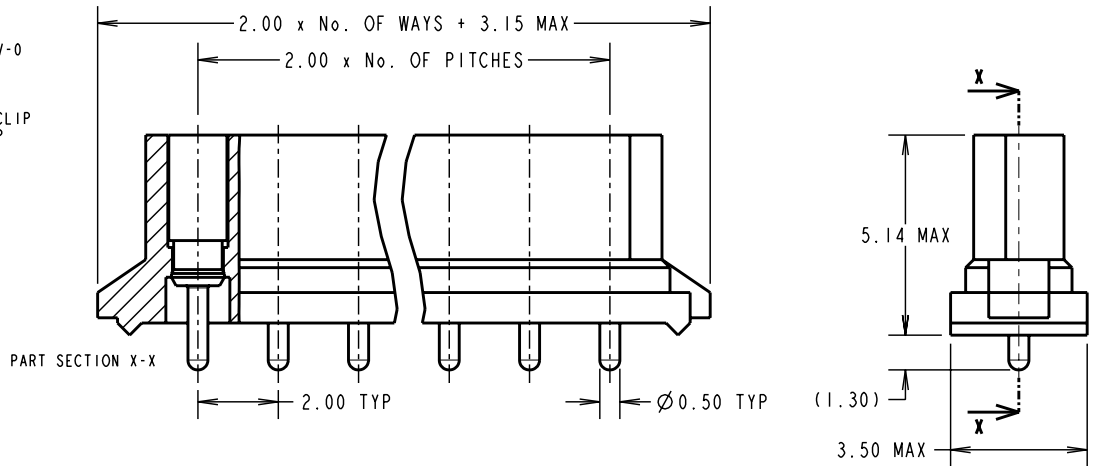
ELECTRICAL:
 CURRENT RATING AT 25°C = 3.0A MAX
 CURRENT RATING AT 85°C = 2.2A MAX
 WORKING VOLTAGE = 120V AC/DC
 VOLTAGE PROOF = 360V AC/DC
CONTACT RESISTANCE:
 INITIAL = 20mΩ MAX
 AFTER CONDITIONING = 25mΩ MAX
INSULATION RESISTANCE:
 INITIAL = 1000MΩ MIN
 AFTER CONDITIONING = 100MΩ MIN

MECHANICAL:
 DURABILITY = 500 OPERATIONS
 INSERTION FORCE = 2.8N MAX, 1.0N MIN
 WITHDRAWAL FORCE = 1.8N MAX, 0.2N MIN

ENVIRONMENTAL:
 TEMPERATURE RANGE = -55°C TO +125°C

PACKING:
 TUBE

FOR COMPLETE SPECIFICATION SEE
 COMPONENT SPECIFICATION C005XX
 (LATEST ISSUE)



ORDER CODE:
M80-614XXX

No. OF WAYS _____
 02-07, 17

FINISH _____
 42 = 100% TIN SHELL, GOLD CLIP
 45 = GOLD SHELL, GOLD CLIP

| | | | |
|------------------------|------|----------|--------|
| SM | 4 | 11.05.10 | 10790 |
| NAME | ISS. | DATE | C/NOTE |
| APPROVED: S. MCCULLAGH | | | |
| CHECKED: R. ADDE | | | |
| DRAWN: W. J. BOURNE | | | |
| CUSTOMER REF.: | | | |
| ASSEMBLY DRG: | | | |



| | | |
|--|--|--|
| HARWIN USA TEL: 603 893 5376 FAX: 603 893 5396 mis@harwin.com | HARWIN Europe (UK) TEL: 023 9231 4545 FAX: 023 9231 4590 mis@harwin.co.uk | HARWIN Asia TEL: +65 6 779 4909 FAX: +65 6 779 3868 mis@harwin.com.sg |
|--|--|--|

THIS DRAWING AND ANY INFORMATION OR DESCRIPTIVE MATTER SET OUT HEREON ARE CONFIDENTIAL AND COPYRIGHT PROPERTY OF THE HARWIN GROUP AND MUST NOT BE DISCLOSED, LOANED, COPIED OR USED FOR MANUFACTURING, TENDERING OR FOR ANY OTHER PURPOSE WITHOUT THEIR WRITTEN PERMISSION.

TOLERANCES
 X. = ±1mm
 X.X = ±0.25mm
 X.XX = ±0.10mm
 X.XXX = ±0.01mm
 ANGLES = ±5°
 UNLESS STATED

MATERIAL: SEE ABOVE
FINISH: SEE ABOVE
S/AREA: mm²

TITLE: DATAMATE SIL FEMALE PC TAIL ASSEMBLY
DRAWING NUMBER: M80-614XXX
 SHT 2 OF 2