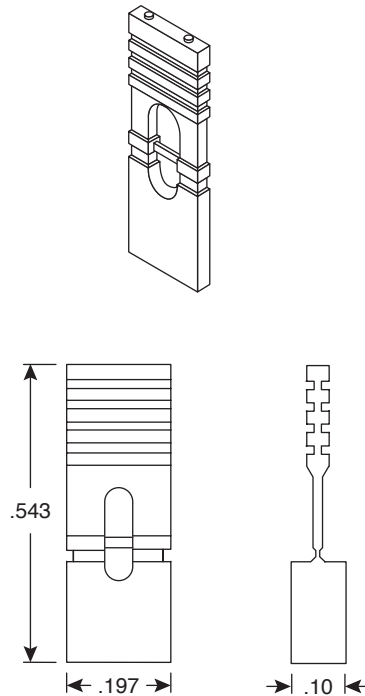


Thumb Pull Shorting Jumpers

151-8030, 151-8031, 151-8033



Thumb Pull Shorting Jumpers



Dimensions: In.

SPECIFICATIONS	
Type:	Thumb Pull
Contact Resistance:	30mΩ @ DC 100mA
Insulation Resistance:	1000MΩ min. @ 500VDC
Dielectric Strength:	500VAC for 1 Minute
Current Rating:	1 Amp Max.
Operation Temperature:	-55°C to 140°C

MATERIALS	
Body:	PBT & glass Reinforced Fiber
Contacts:	Gold Plated Phosphor Bronze
Color:	151-8030 - Black, 151-8031 - Blue, 151-8033 - Red

Date Last Revised: 12-7-05

Available from Mouser Electronics
1-800-346-6873
www.mouser.com

KC-300746

151-8030, 151-8031, 151-8033