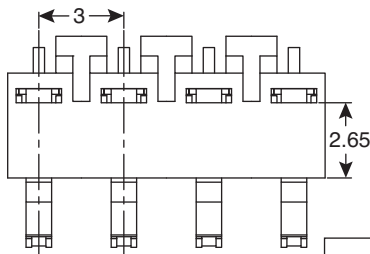
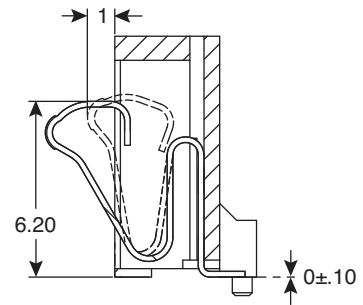
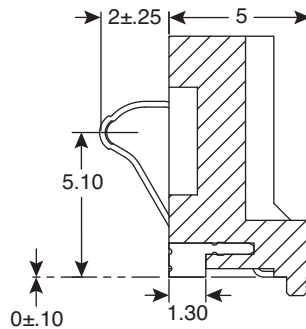
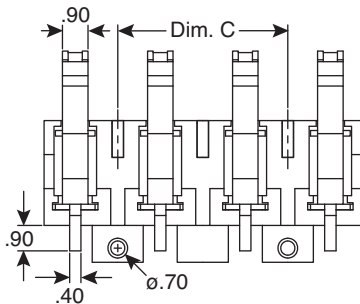
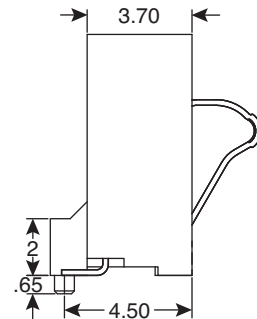
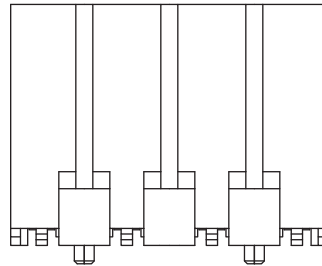
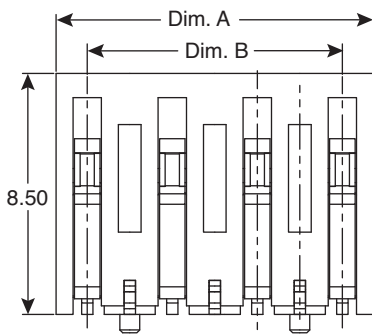


Modular Contact, 3.00 Pitch

164-19201-311-E, 164-19201-411-E

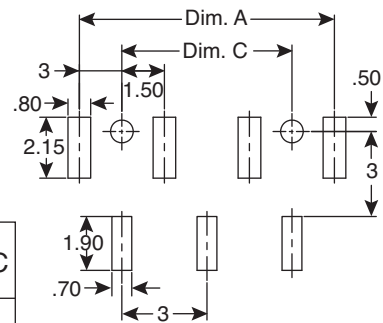


Modular Contact, 3.00 Pitch



Dimensions: mm

Mouser Part No.	Pins	Dim. A	Dim. B	Dim. C
164-19201-311-E	3	6.00	8.20	3.00
164-19201-411-E	4	9.00	11.20	6.00



MATERIAL SPECIFICATIONS

Housing:	High Temperature Plastic, Black
Terminal:	Copper Alloy, T=0.2mm
Solder Pad:	Copper Alloy, T=0.4mm
Finish Terminal:	50μ" Nickel Allover, 10μ" Gold on Contact area 80μ" pure mat tin on solder area
Finish Solder Pad:	50μ" Nickel Allover, 80μ" pure mat tin all over
Contact:	Need press contact for 1 time to control the contact height

ELECTRICAL SPECIFICATIONS

Current Rating:	1.0A AC/DC
Voltage Rating:	250V AC/DC
Contact Resistance:	30mΩ Max.
Insulation Resistance:	1000MΩ Min.
Withstanding Voltage:	500 V AC/minute

Date Last Revised: 06/03/08

Available from Mouser Electronics
1-800-346-6873 / www.mouser.com

KC-301267

Specifications are subject to change without notice. No liability or warranty implied by this information. Environmental compliance based on producer documentation.

164-19201-311-E, 164-19201-411-E