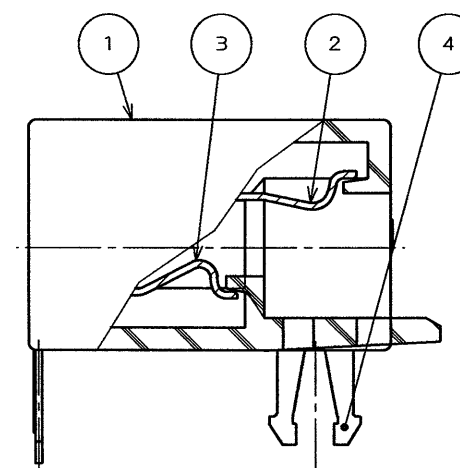
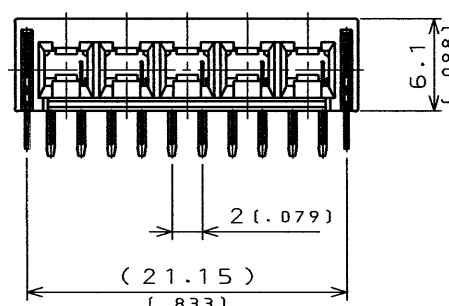
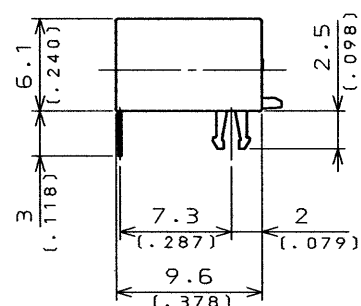
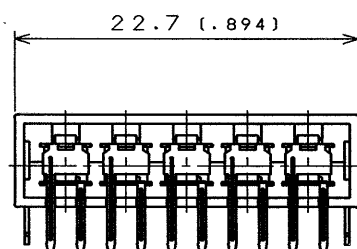
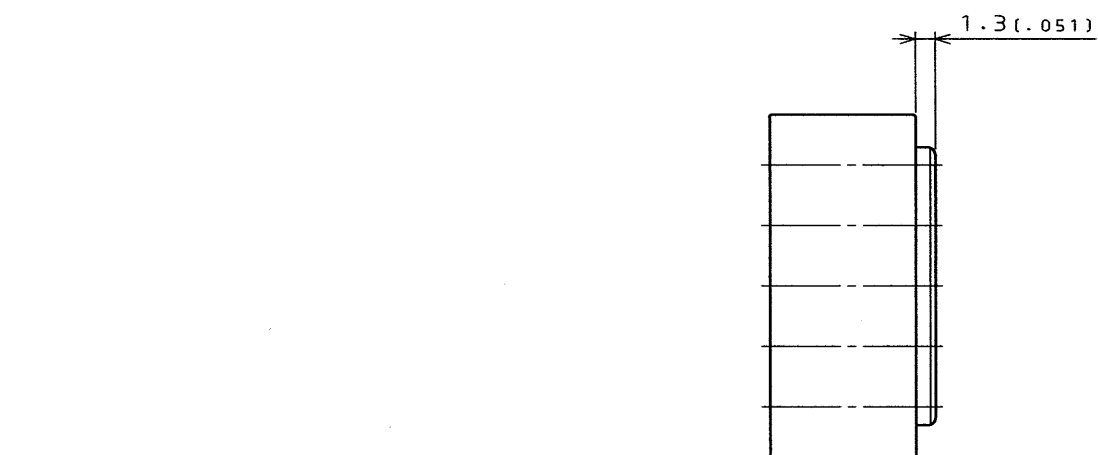


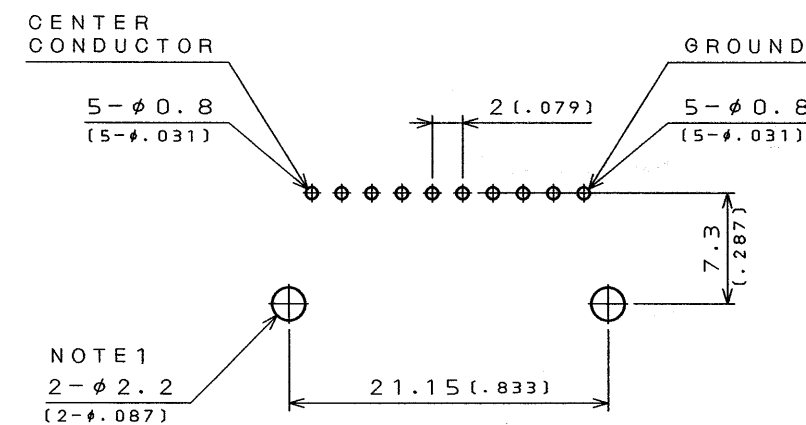
SJ027031-E

DWG. NO.

SYM.	DCN NO.	DESCRIPTION	DATE	DRAWN	CHECKED	APP'D	APP'D



DETAIL  
(SCALE 5/1)



NOTE1  
2-φ2.2  
(2-φ.087)

P. C. B HOLD PATTERNS

P. C. B THICKNESS RECOMMENDED: 1.6mm MAX

NOTE1, PLEASE CONNECT HOLD DOWN WITH GROUND.

DESIGNATION

KD10-RRP5-F-0

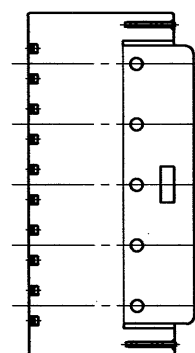
SOLDER HEAT

CONTACT TYPE (M: MALE, F: FEMALE)

No. OF CONTACTS

CONNECTOR TYPE: RIGHT ANGLE RESEPTACLE

SERIES



DIMENSIONS ARE IN MILLIMETERS  
TOLERANCES ON: (INCHES)

DIMENSION	VALUES	ANGLES	VALUES
.	± 0.8	X°	± —
.X	± 0.4	X°X'	± —
.XX	± 0.1	CONCENTRICITY	WITHIN — T. I. R.
.XXX ± —			

ITEM	DESCRIPTION	Q'TY	MATERIAL	FINISH	REMARKS
4	HOLDDOWN	2	COPPER ALLOY	TIN OVER NICKEL	—
3	CENTER CONTACT	5	COPPER ALLOY	GOLD OVER NICKEL	—
2	OUTER CONTACT	5	COPPER ALLOY	GOLD OVER NICKEL	—
1	INSULATOR	1	6-6Ny	—	—

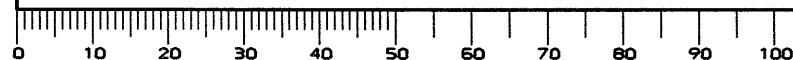
REFERENCE DOCUMENT	DATE	SCALE	TITLE
JACS2034-E	30. Jun. '94	1/1	KD10-RRP5-F-0
MATERIAL	TREATMENT	FINISH	SERIES
—	—	—	KD10
DATE	DRAWN	CHECKED	APP'D
30. Jun. '94	T. MIYASHITA	T. MIYASHITA	T. Hara
DATE	DRAWN	CHECKED	APP'D
			T. Suzuki

**JAE-CONNECTOR.COM**  
Reference Only

MUSASHINO, AKISHIMA-SHI  
TOKYO, JAPAN

DWG. NO.  
SJ027031-E

DCF-116A



CSP-94-140-52342

SIZE A3