



501-001 EMI/RFI Conical-Ring Type Split Backshell for MIL-C-83733 Connectors

501-001 M B A06 B03 E05 F04

Basic Part No. _____
 Finish (Table III) _____
 Shell Size (Table I) _____

Entry Location (A, B, C, D, E, F)
 and Dash No. (Table II) - See Note 2

1. Metric dimensions (mm) are indicated in parentheses.
2. When entry options "C" and/or "D" are selected, entry option "B" cannot be selected. When "C" and "D" are selected on shell size A, the maximum dash number available is 02.
3. Material/Finish:
 Backshell, Adapter, Clamp,
 Ferrule = Al Alloy/See Table III
 Hardware = SST/Passivate

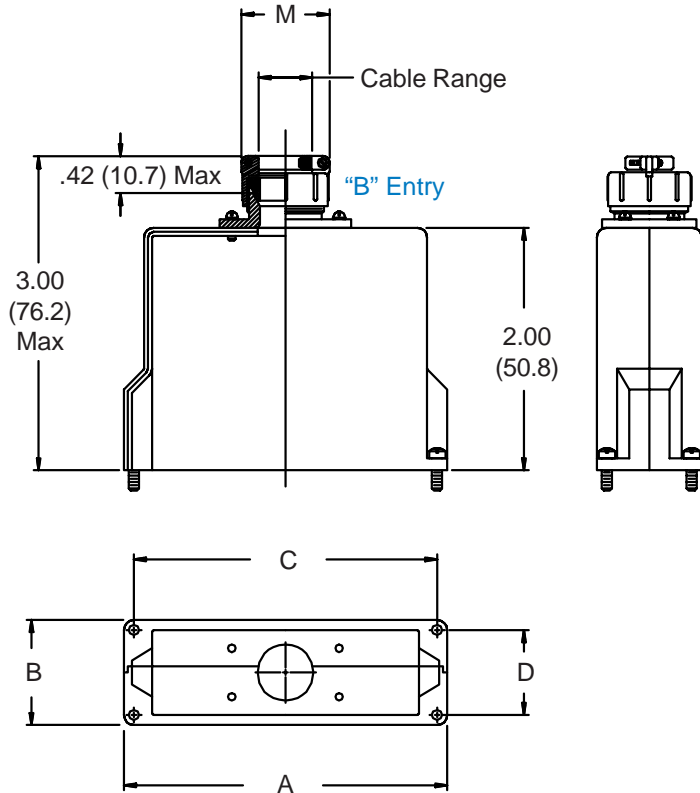
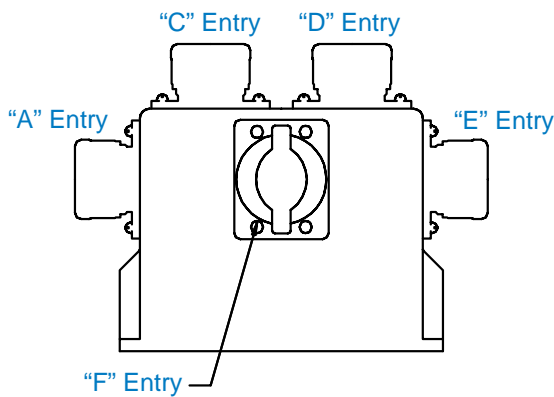


TABLE I: DIMENSIONS

Shell Size	A Dim	B Dim	C ± .005 (.1)	D ± .005 (.1)	Max Entry
A	2.095 (53.2)	1.000 (25.4)	1.895 (48.1)	.815 (20.7)	.875 (22.2)
B	3.395 (86.2)	1.000 (25.4)	3.195 (81.2)	.815 (20.7)	.875 (22.2)

TABLE II: CABLE ENTRY

Dash No.	M Max	Cable Range	
		Min	Max
01	.781 (19.8)	.062 (1.6)	.125 (3.2)
02	.968 (24.6)	.125 (3.2)	.250 (6.4)
03	1.046 (26.6)	.250 (6.4)	.375 (9.5)
04	1.156 (29.4)	.312 (7.9)	.500 (12.7)
05	1.218 (30.9)	.437 (11.1)	.625 (15.9)
06	1.343 (34.1)	.562 (14.3)	.750 (19.1)
07	1.468 (37.3)	.687 (17.4)	.875 (22.2)

TABLE III: FINISH OPTIONS

Symbol	Finish
B	Cadmium Plate, Olive Drab
M	Electroless Nickel
N	Cadmium Plate, Olive Drab, Over Nickel
NF	Cadmium Plate, Olive Drab, Over Electroless Nickel (500 Hour Salt Spray)

**CONSULT FACTORY FOR
OTHER AVAILABLE FINISHES**