

DRAWING No.: F05E- XX 1146R

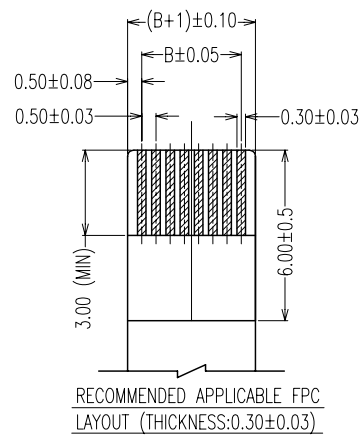
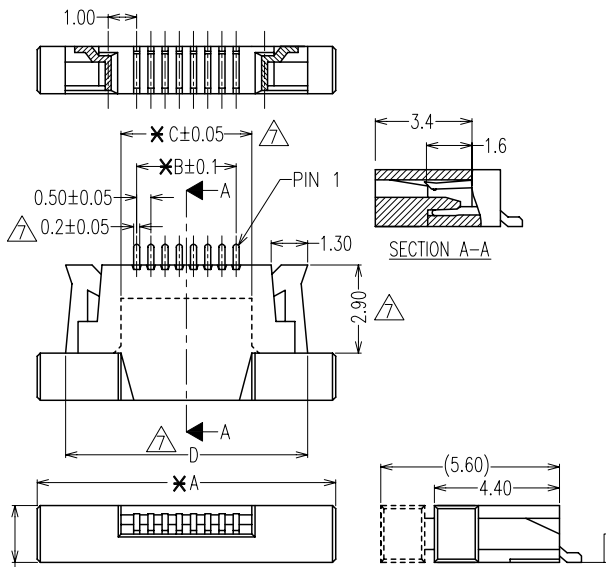
IF IN DOUBT - ASK

Ⓒ

NOT TO SCALE

THIRD ANGLE PROJECTION

ALL DIMENSIONS IN mm



PIN	A	B	C	D
04	8.50	1.50	2.60	7.1
05	9.00	2.00	3.10	7.6
06	9.50	2.50	3.60	8.1
07	10.00	3.00	4.10	8.6
08	10.50	3.50	4.60	9.1
09	11.00	4.00	5.10	9.6
10	11.50	4.50	5.60	10.1
11	12.00	5.00	6.10	10.6
12	12.50	5.50	6.60	11.1
13	13.00	6.00	7.10	11.6
14	13.50	6.50	7.60	12.1
15	14.00	7.00	8.10	12.6
16	14.50	7.50	8.60	13.1
17	15.00	8.00	9.10	13.6
18	15.50	8.50	9.60	14.1
19	16.00	9.00	10.10	14.6
20	16.50	9.50	10.60	15.1
21	17.00	10.00	11.10	15.6
22	17.50	10.50	11.60	16.1
23	18.00	11.00	12.10	16.6
24	18.50	11.50	12.60	17.1
25	19.00	12.00	13.10	17.6
26	19.50	12.50	13.60	18.1
27	20.00	13.00	14.10	18.6
28	20.50	13.50	14.60	19.1
29	21.00	14.00	15.10	19.6
30	21.50	14.50	15.60	20.1

PIN	A	B	C	D
31	22.00	15.00	16.10	20.6
32	22.50	15.50	16.60	21.1
33	23.00	16.00	17.10	21.6
34	23.50	16.50	17.60	22.1
35	24.00	17.00	18.10	22.6
36	24.50	17.50	18.60	23.1
37	25.00	18.00	19.10	23.6
38	25.50	18.50	19.60	24.1
39	26.00	19.00	20.10	24.6
40	26.50	19.50	20.60	25.1
41	27.00	20.00	21.10	25.6
42	27.50	20.50	21.60	26.1
43	28.00	21.00	22.10	26.6
44	28.50	21.50	22.60	27.1
45	29.00	22.00	23.10	27.6
46	29.50	22.50	23.60	28.1
47	30.00	23.00	24.10	28.6
48	30.50	23.50	24.60	29.1
49	31.00	24.00	25.10	29.6
50	31.50	24.50	25.60	30.1
51	32.00	25.00	26.10	30.6
52	32.50	25.50	26.60	31.1
53	33.00	26.00	27.10	31.6
54	33.50	26.50	27.60	32.1
55	34.00	27.00	28.10	32.6
56	34.50	27.50	28.60	33.1
57	35.00	28.00	29.10	33.6
58	35.50	28.50	29.60	34.1
59	36.00	29.00	30.10	34.6
60	36.50	29.50	30.60	35.1

SPECIFICATIONS:

MATERIALS:-
 HOUSING: HIGH TEMPERATURE THERMOPLASTIC UL94V-0
 COLOUR: BLACK
 ACTUATOR: HIGH TEMPERATURE THERMOPLASTIC UL94V-0
 COLOUR: WHITE
 CONTACT: COPPER ALLOY, T=0.2mm
 FITTING NAIL: COPPER ALLOY, T=0.2mm
 FINISH:-
 CONTACT: TIN
 FITTING NAIL: TIN

NOTES: ALL DIMENSIONS AND NOTES MARKED * ARE CRITICAL AND MUST BE CHECKED IN ACCORDANCE WITH QUALITY DOC. Q1-02A

Allan	7	29.09.09	A240
Allan	6	02.09.09	A232
Allan	5	15.09.08	A161
Allan	4	18.12.07	A099

NAME	ISS.	DATE	C/NOTE
------	------	------	--------

APPROVED: *Ben*

CHECKED: *Ben*

DRAWN: Allan

CUSTOMER REF.:

ASSEMBLY DRG:

*PLEASE CONTACT TECHNICAL SALES FOR WAYS WITH * FOR AVAILABILITY

ORDER CODE
F05E- XX 1146R
 NO. OF WAYS

TOLERANCE:	
DIMENSIONS	ANGLES
X.X = ±0.30mm	±0°30'
X.XX = ±0.20mm	

RECOMMENDED PCB PATTERN DIM.



HARWIN USA
 TEL: 603 893 5376
 FAX: 603 893 5396
 mis@harwin.com

HARWIN Europe (UK)
 TEL: 023 9231 4545
 FAX: 023 9231 4590
 mis@harwin.co.uk

HARWIN Asia
 TEL: +65 6 779 4909
 FAX: +65 6 779 3868
 mis@harwin.com.sg

THIS DRAWING AND ANY INFORMATION OR DESCRIPTIVE MATTER SET OUT HEREON ARE CONFIDENTIAL AND COPYRIGHT PROPERTY OF THE HARWIN GROUP AND MUST NOT BE DISCLOSED, LOANED, COPIED OR USED FOR MANUFACTURING, TENDERING OR FOR ANY OTHER PURPOSE WITHOUT THEIR WRITTEN PERMISSION.

TOLERANCES
 * = ±1mm
 X.X = ±0.25mm
 X.XX = ±0.10mm
 X.XXX = ±0.01mm
 ANGLES = ±5°
 UNLESS STATED

MATERIAL: SEE ABOVE
 FINISH: SEE ABOVE
 S/AREA: mm²

TITLE:
0.5 ZIP FPC SMT R/A TYPE TOP CONTACT

DRAWING NUMBER:
F05E- XX 1146R

SHT 1 OF 1