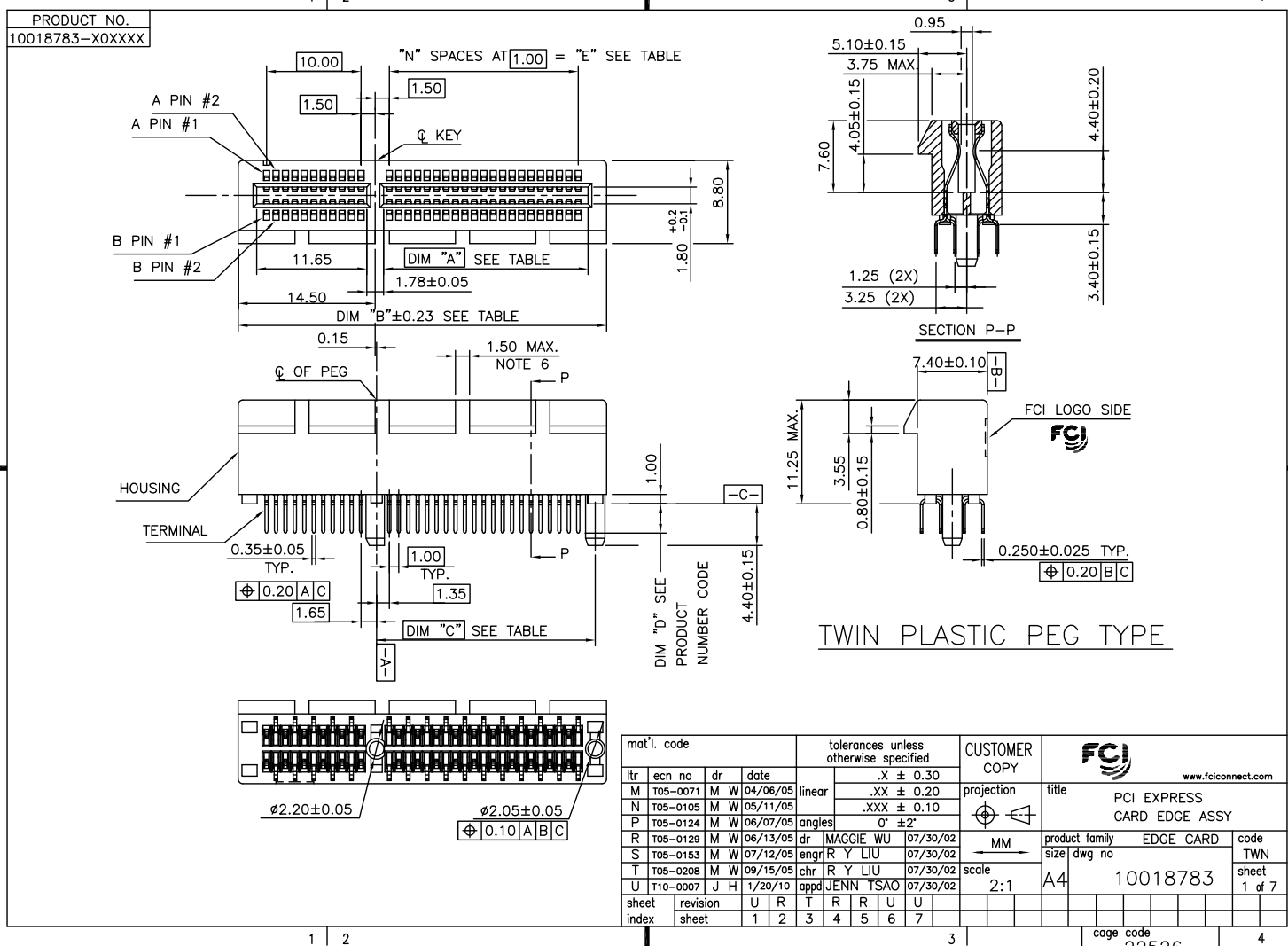


Tous droits strictement réservés. Reproduction ou communication à des fins
 interdites sous quelque forme que de soit sans autorisation écrite du propriétaire.
 Property of FCI. Copyright FCI. Droits de reproduction FCI.



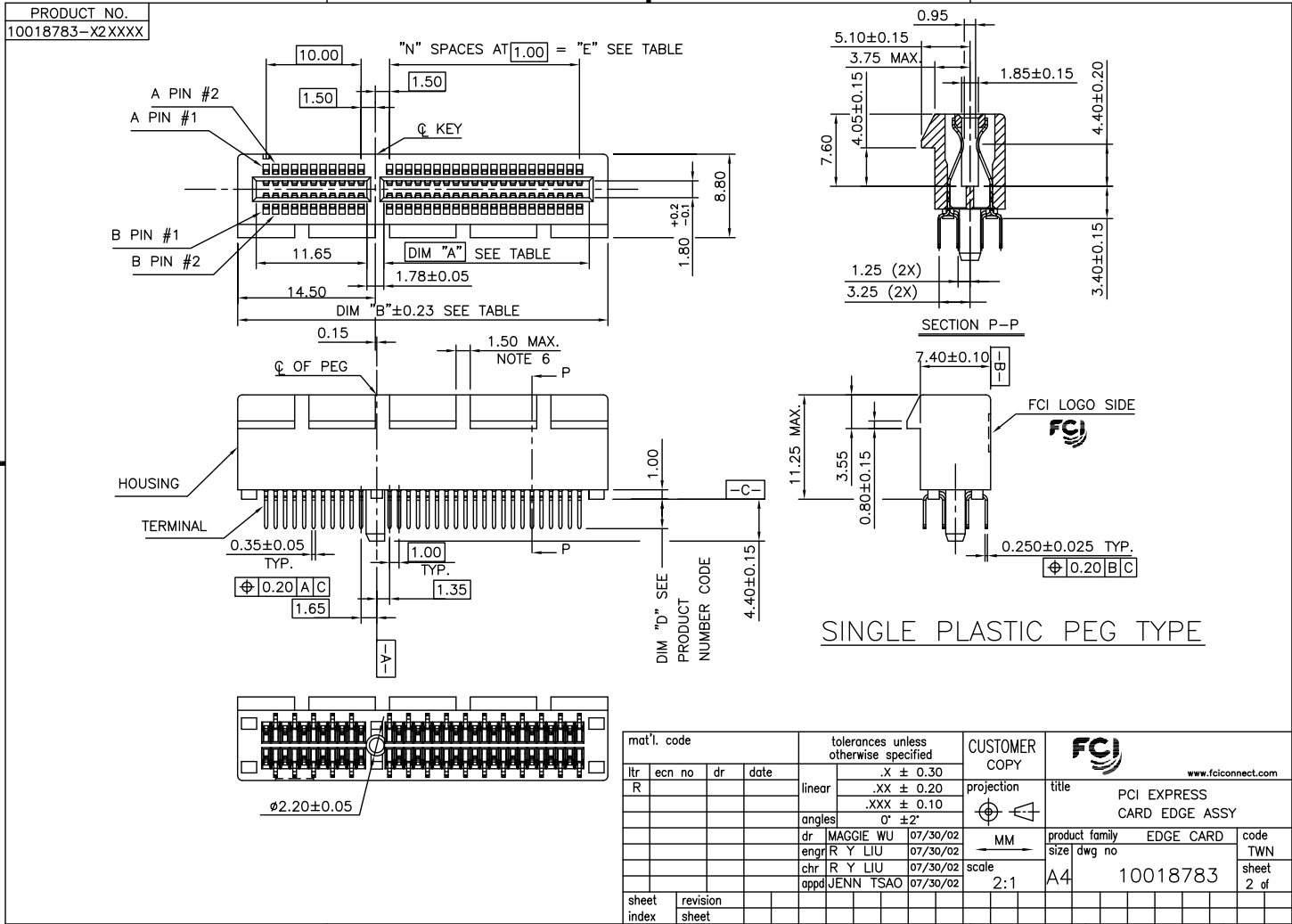
mat'l. code				tolerances unless otherwise specified		CUSTOMER COPY		FCI	
lrr	ecn no	dr	date	linear	.X ± 0.30	projection	title	www.fciconnect.com	
M	T05-0071	M W	04/06/05		.XX ± 0.20	MM	PCI EXPRESS CARD EDGE ASSY	product family	EDGE CARD
N	T05-0105	M W	05/11/05	angles	.XXX ± 0.10			size	dwg no
P	T05-0124	M W	06/07/05		0° ±2°	scale	2:1	A4	10018783
R	T05-0129	M W	06/13/05	dr	MAGGIE WU	07/30/02			
S	T05-0153	M W	07/12/05	engr	R Y LIU	07/30/02			
T	T05-0208	M W	09/15/05	chr	R Y LIU	07/30/02			
U	T10-0007	J H	1/20/10	appd	JENN TSAO	07/30/02			
sheet index	revision sheet	U	R	T	R	R	U	U	
1	2	3	4	5	6	7			

ACAD PDM: Rev:U STATUS Released cage code 22526 Printed: Jun 28, 2010

Tous droits strictement réservés. Reproduction ou communication à des fins
 interdites sous quelque forme que ce soit sans autorisation écrite du propriétaire.
 Property of FCI. Droits de reproduction FCI.



All rights strictly reserved. Reproduction or issue to third parties in any
 form whatever is not permitted without written authority from the proprietor.
 Property of FCI. Copyright FCI.



mat'l. code		tolerances unless otherwise specified		CUSTOMER COPY		FCI	
lrr	ecn no	dr	date	linear	.X ± 0.30	projection	www.fciconnect.com
R					.XX ± 0.20	title	PCI EXPRESS CARD EDGE ASSY
				angles	.XXX ± 0.10	product family	EDGE CARD
				dr	0' ±2'	size	dwg no
				engr	MAGGIE WU 07/30/02	scale	2:1
				chr	R Y LIU 07/30/02	code	10018783
				appd	JENN TSAO 07/30/02	sheet	2 of
sheet index	revision sheet					cage code	22526
						STATUS	Released
						Printed: Jun 28, 2010	

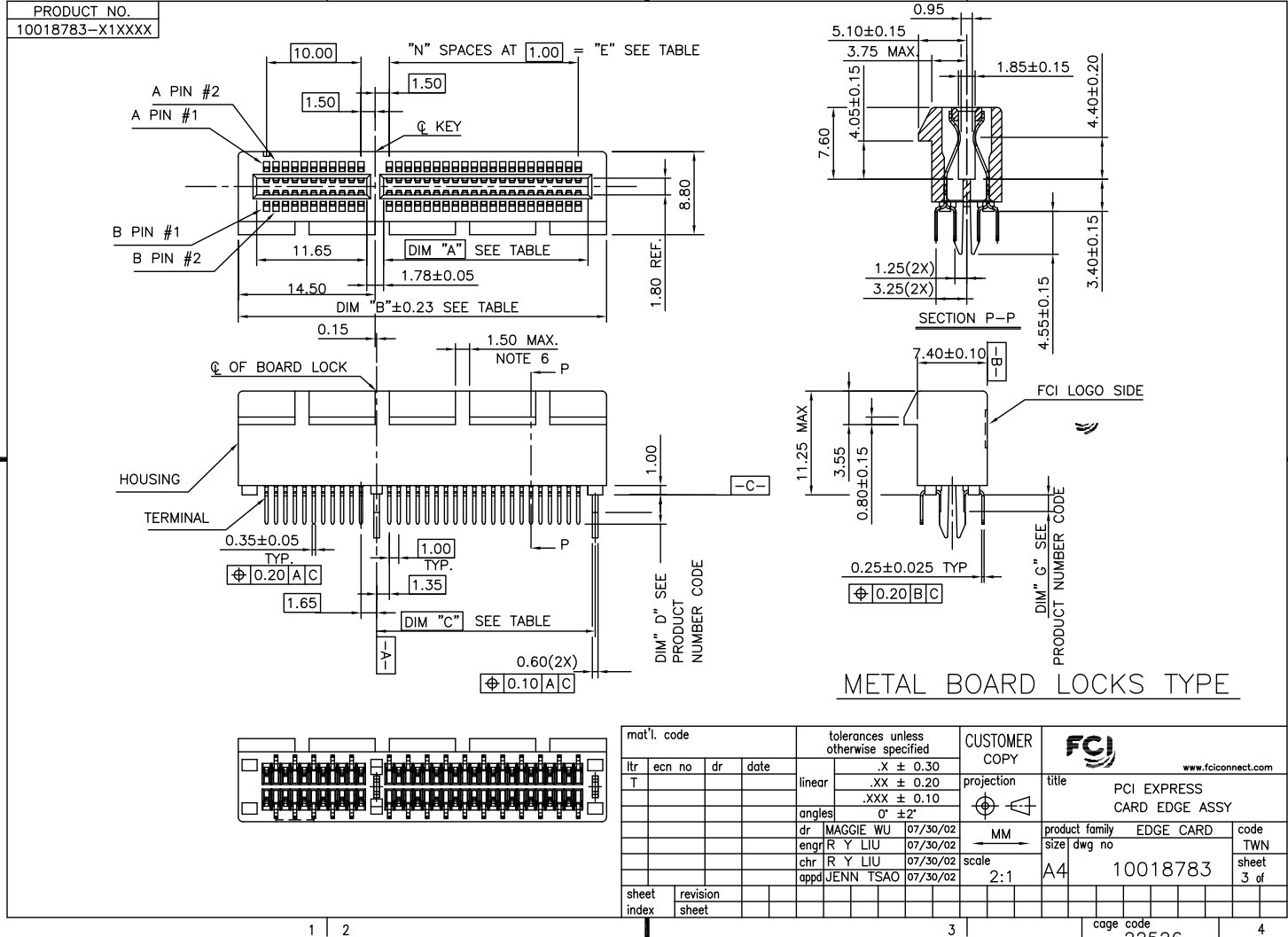
AC:AD

PDM: Rev:U

STATUS Released

Printed: Jun 28, 2010

All rights strictly reserved. Reproduction or issue to third parties in any form whatsoever is not permitted without written authority from the proprietor. Property of FCI. Copyright FCI.



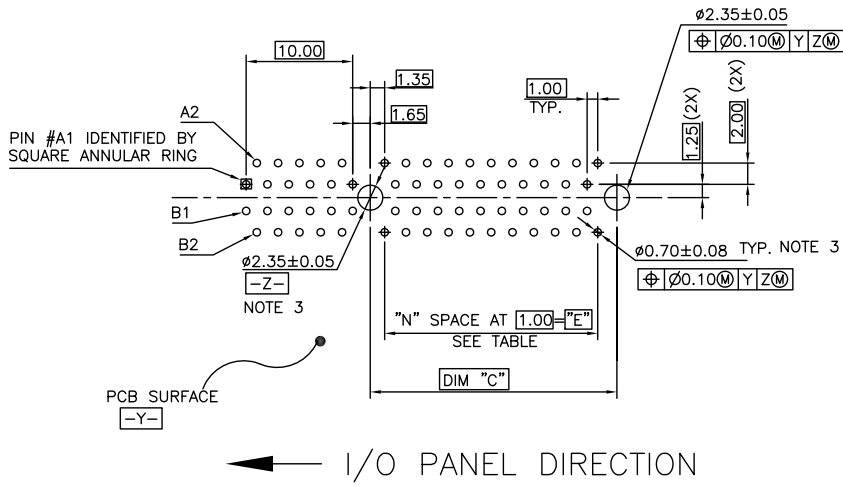
mat'l. code		tolerances unless otherwise specified		CUSTOMER COPY		FCI	
lfr	ecn no	dr	date	.X ± 0.30	projection	www.fciconnect.com	
T				.XX ± 0.20		title	
				.XXX ± 0.10		PCI EXPRESS CARD EDGE ASSY	
				angles		product family	
				0° ±2°		EDGE CARD	
		dr	MAGGIE WU 07/30/02			code	
		engr	R Y LIU 07/30/02			TWN	
		chr	R Y LIU 07/30/02			size	
		appd	JENN TSAO 07/30/02			dwg no	
sheet	revision			scale	2:1	10018783	
index	sheet					sheet 3 of	

ACAD PDM: Rev:U STATUS Released cage code 22526 Printed: Jun 28, 2010

Tous droits strictement réservés. Reproduction ou communication à des fins autres qu'interne sans autorisation écrite du propriétaire. Propriété de c. FCJ. Droits de reproduction FCJ.



All rights strictly reserved. Reproduction or issue to third parties in any form whatsoever is not permitted without written authority from the proprietor. Property of FCJ. Copyright FCJ.



RECOMMENDED FOOTPRINT

mat'l. code				tolerances unless otherwise specified		CUSTOMER COPY		FCJ	
lfr	ecn no	dr	date	linear	.X ±	projection	www.fciconnect.com		
R					.XX ±		title PCI EXPRESS CARD EDGE ASS'Y		
				angles	.XXX ±		product family EDGE CARD		
					0° ±2°	MM	size dwg no		
				dr	MAGGIE WU 07/30/02	scale	A4 10018783		
				engr	R Y LIU 07/30/02	2:1	code TWN		
				chr	R Y LIU 07/30/02		sheet 4 of		
				appd	JENN TSAO 07/30/02				
sheet index	revision sheet								

AC.AD

PDM: Rev:U

STATUS: Released

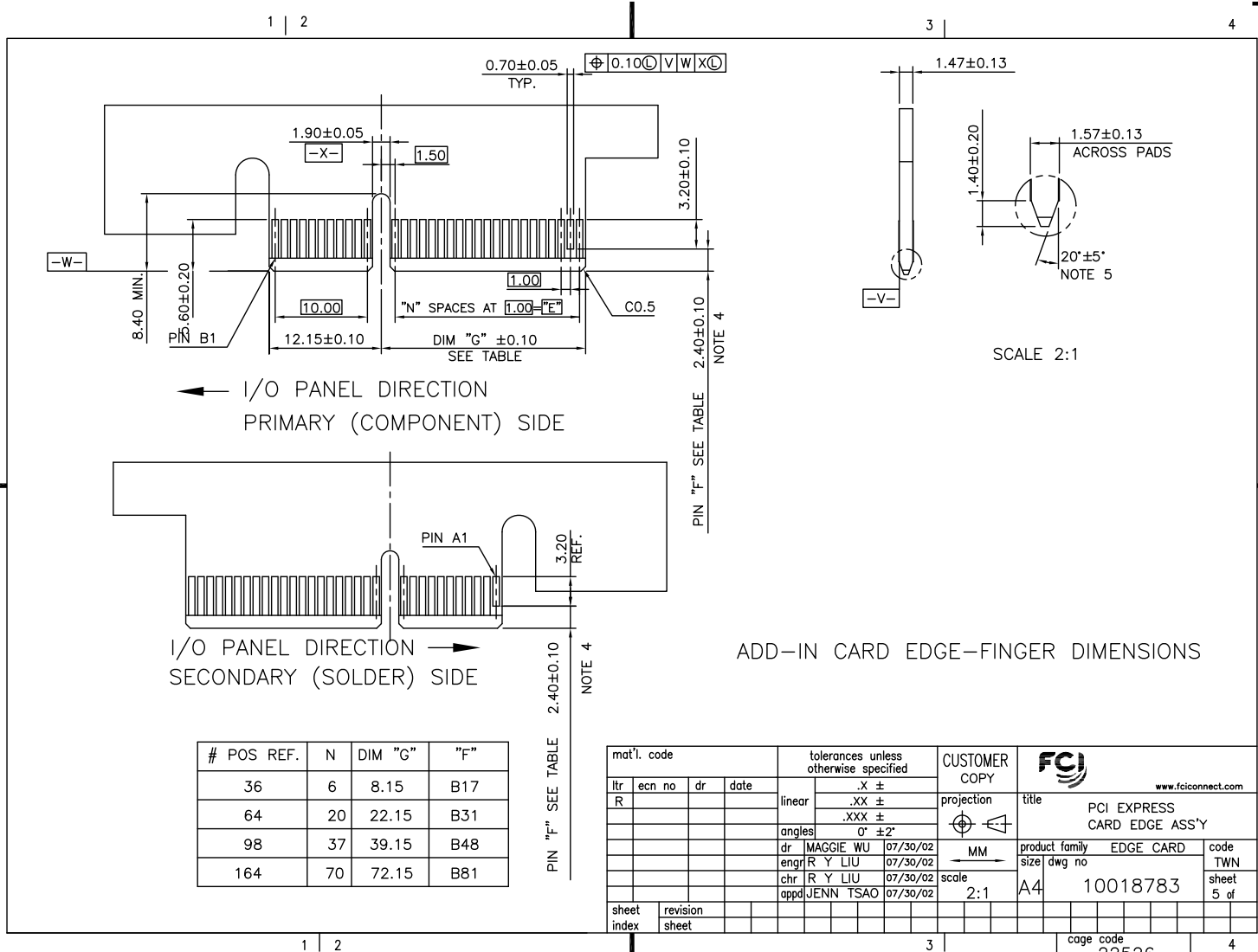
cage code 22526

Printed: Jun 28, 2010

Tous droits strictement réservés. Reproduction ou communication à des fins autres qu'interne sans autorisation écrite du propriétaire. Property of FCI. Copyright FCI. Droits de reproduction FCI.



All rights strictly reserved. Reproduction or issue to third parties in any form whatsoever is not permitted without written authority from the proprietor. Property of FCI. Copyright FCI.



I/O PANEL DIRECTION
PRIMARY (COMPONENT) SIDE

I/O PANEL DIRECTION
SECONDARY (SOLDER) SIDE

ADD-IN CARD EDGE-FINGER DIMENSIONS

#	POS	REF.	N	DIM "G"	"F"
36	6		8.15	B17	
64	20		22.15	B31	
98	37		39.15	B48	
164	70		72.15	B81	

PIN "F" SEE TABLE

mat'l. code		tolerances unless otherwise specified		CUSTOMER COPY		FCI www.fciconnect.com	
ltr	ecn no	dr	date	linear	.X ±	projection	title
R					.XX ±		PCI EXPRESS CARD EDGE ASS'Y
					.XXX ±		
				angles	0° ±2°	MM	product family
				dr	MAGGIE WU 07/30/02	scale	EDGE CARD
				engr	R Y LIU 07/30/02	2:1	code
				chr	R Y LIU 07/30/02	A4	TWN
				appd	JENN TSAO 07/30/02		size
sheet index	revision sheet						dwg no
							10018783
							sheet 5 of

NOTES:

1.MATERIAL:

HOUSING: HIGH TEMPERATURE NYLON, GLASS FILLED UL94V-0 RATED.
TERMINAL: COPPER ALLOY.

PLATING: 50u" NICKEL UNDERPLATE ALL OVER
CONTACT AREA PLATING - SEE PRODUCT NUMBER CODE
SOLDER TAIL: TIN OR TIN /LEAD(90/10)- SEE PRODUCT NUMBER CODE 100u" MIN. OVER 50u" NICKEL.

METAL BOARD LOCKS: COPPER ALLOY.
FINISH: 100u" TIN OR TIN/LEAD(90/10) OVER 50u" NICKEL
UNDERPLATE SEE PRODUCT NUMBER CODE.

2.PRODUCT SPECIFICATION: GS-12-233.

③THE HORIZONTAL AXIS FOR THE HOLE PATTERN IS ESTABLISHED BY A LINE THROUGH THE CENTER OF THE TWO #2.35 HOLES.
THE VERTICAL AXIS IS 90° TO THE HORIZONTAL AXIS, THROUGH THE CENTER OF DATUM Z.

④NO TIE BAR PERMITTED FROM CARD EDGE TO LEADING EDGE OF PAD FOR PINS A1 AND PIN NUMBERS "F".

⑤CHAMFER EDGES MUST BE FREE OF CUTTING BURRS.

⑥FREQUENCY & LOCATION AT SUPPLIER DISCRETION. RIDGE MAY BE CONTINUOUS WITH NO BREAKS.

7.RoHS COMPATIBLE PRODUCT SPECIFICATIONS:

a - PLATING:

- "LF" MEANS THE PRODUCT IS LEAD-FREE, 2um MINIMUM MATTE TIN OVER 1.27um MINIMUM NICKEL UNDERPLATE.

b - MANUFACTURING PROCESS COMPATIBILITY:

- THE HOUSING WILL WITHSTAND EXPOSURE TO 260°C±5°C TEMPERATURE FOR 10 SECONDS IN RE-FLOW APPLICATION, REFER TO GS-14-858 FOR OPERATING.

PRODUCT NUMBER CODE

10018783 -x x x x x x x x

LEAD FREE OPTION

LEAVE BLANK FOR TERMINAL PLATING 3,4,5
"LF" FOR TERMINAL PLATING OPTION 0,1,2

HOUSING COLOR OPTIONS

- 0-NATURAL
- 1-BLACK

PEGS OPTIONS

- 0-PLASTIC PEGS
- 1-METAL BOARD LOCKS
- 2-SINGLE PLASTIC PEGS

TERMINAL PLATING OPTIONS

- 0-50u" Ni UNDERPLATE
- 30u" Au CONTACT AREA
- 100u" TIN TAIL AREA ----- COMPATIBLE RoHS
- 1-50u" Ni UNDERPLATE
- 15u" Au CONTACT AREA
- 100u" TIN TAIL AREA ----- COMPATIBLE RoHS
- 2-50u" Ni UNDERPLATE
- GOLD FLASH CONTACT AREA
- 100u" TIN TAIL AREA ----- COMPATIBLE RoHS
- 3-50u" Ni UNDERPLATE
- 30u" Au CONTACT AREA
- 100u" TIN/LEAD TAIL AREA ----- INCOMPLIANT RoHS
- 4-50u" Ni UNDERPLATE
- 15u" Au CONTACT AREA
- 100u" TIN/LEAD TAIL AREA ----- INCOMPLIANT RoHS
- 5-50u" Ni UNDERPLATE
- GOLD FLASH CONTACT AREA
- 100u" TIN/LEAD TAIL AREA ----- INCOMPLIANT RoHS

POS OPTIONS

- 0-36
- 1-64
- 2-98
- 3-164

CONNECTOR	# POS REF.	N	DIM "A"	DIM "B"	DIM "C"	"E"
1 PORT	36	6	7.65	25.00	9.15	6.00
4 PORT	64	20	21.65	39.00	23.15	20.00
8 PORT	98	37	38.65	56.00	40.15	37.00
16 PORT	164	70	71.65	89.00	73.15	70.00

PACKAGING OPTIONS

- T-SOFT TRAY PACKAGING
- M-SOFT TRAY PACKAGING & MYLAR TAPE. SEE FIGULE 1
- Y-HARD TRAY PACKAGING (FOR 164P ONLY)
- Z-HARD TRAY PACKAGING WITH MYLAR (FOR 164P ONLY)

TAIL LENGTH OPTIONS

	DIM "D"	PCB THICKNESS	BOARD LOCKS DIM "G"
0	2.30 ^{+0.25} _{-0.13}	1.56±0.10	1.70±0.15
1	3.10 ^{+0.25} _{-0.13}	2.36±0.10	2.50±0.15
2	2.54±0.25	1.56±0.10	1.70±0.15
3	1.90±0.25	1.56±0.10	1.70±0.15

mat'l. code		tolerances unless otherwise specified		CUSTOMER COPY		FCI	
ltr	ecn no	dr	date	linear	.X ±	projection	title
U					.XX ±		PCI EXPRESS CARD EDGE ASS'Y
				angles	.XXX ±		
					0' ±2'	MM	product family EDGE CARD
				dr	MAGGIE WU 07/30/02		
				engr	R Y LIU 07/30/02	A4	10018783
				chr	R Y LIU 07/30/02		
				appd	JENN TSAO 07/30/02	cage code	22526
sheet index	revision sheet						

ACAD

PDM: Rev:U

STATUS: Released

Printed: Jun 28, 2010

Tous droits strictement reserves. Reproduction ou communication a des fins commerciales sans autorisation écrite du propriétaire. Property of FCI. Droits de reproduction FCI.



All rights strictly reserved. Reproduction or issue to third parties in any form whatsoever is not permitted without written authority from the proprietor. Property of FCI. Copyright FCI.

A

B

Tous droits strictement réservés. Reproduction ou communication à des fins
 interdites sous quelque forme que ce soit sans autorisation écrite du propriétaire.
 Property of FCI. Droits de reproduction FCI.



All rights strictly reserved. Reproduction or issue to third parties in any
 form whatever is not permitted without written authority from the proprietor.
 Property of FCI. Copyright FCI.

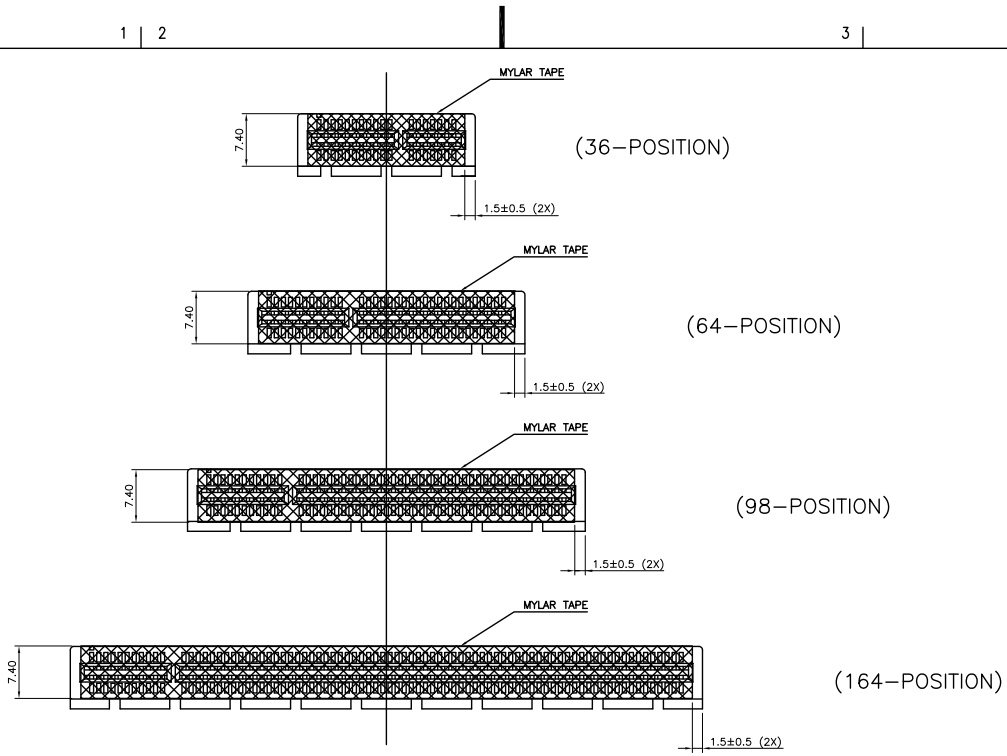


FIGURE 1

mat'l. code		tolerances unless otherwise specified		CUSTOMER COPY		FCI www.fciconnect.com	
lfr	ecn no	dr	date	linear	.X ± 0.25	projection	title
U					.XX ± 0.13		PCI EXPRESS CARD EDGE ASS'Y
				angles	.XXX ± 0.05		
				dr	0° ± 2'	MM	product family
				engr	MAGGIE WU 06/07/05	scale	EDGE CARD
				chr	R Y LIU 06/07/05	1.5:1	size
				appd	JENN TSAO 06/07/05	A4	dwg no
sheet	revision						code
index	sheet						TWN
							sheet
							7 of

ACAD

PDM: Rev:U

STATUS: Released

cage code
22526

Printed: Jun 28, 2010