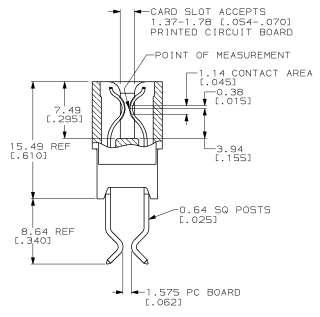
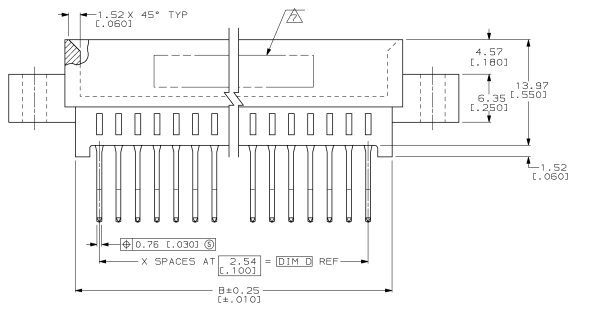
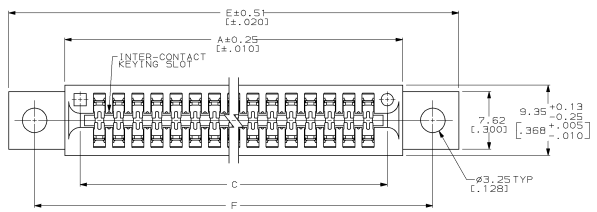


DRAWING MADE IN THIRD ANGLE PROJECTION
 THIS DRAWING IS UNPUBLISHED. RELEASED FOR PUBLICATION
 © copyright 1981 BY AMP INCORPORATED. ALL INTERNATIONAL RIGHTS RESERVED.

REV	DATE	BY	CHK	ZONE	LTR	DESCRIPTION	DATE	APP
F	8-92	JSD				REDRAWN PER AD-6245	8-92	JSD
G	8-92	JSD				REV PER 0010-0742-93	8/12/92	JSD
H	8-92	JSD				REVISED PER 0010-1202-93	8/14/92	JSD
J	1-95	RS				REVISED PER 0010-0382-95	1/25/95	RS
K	1-95	RS				REVISED PER 0010-0058-95	1/22/95	RS
L	1-95	RS				REVISED PER 0010-0827-95	1/17/95	RS
M	8-92	RS				REVISED PER 0430-0287-95	8/12/92	RS

- △ HOUSING: GLASS FILLED POLYESTER; COLOR: BLACK.
- △ CONTACT: PHOSPHOR BRONZE.
- △ NICKEL UNDERPLATE: 0.00127 (.000050) MIN - ALL OVER.
- △ TIN-LEAD PLATE: 0.00254 (.000100) MIN - SOLDER POSTS.
- △ GOLD PLATE: 0.00076 (.000030) MIN - CONTACT AREA.
- △ NICKEL PLATE PER MIL-G-45204.
GOLD PLATE PER QQ-N-290.
- △ AMP PART NUMBER, DATE CODE, AND CSA LOGO ARE MARKED IN APPROXIMATE AREA SHOWN, EITHER SIDE.



REV	DATE	BY	CHK	ZONE	LTR	DESCRIPTION	DATE	APP
31								1-530B26-6
30								1-530B26-5
29								1-530B26-4
28								1-530B26-3
27								1-530B26-2
26								1-530B26-1
25								1-530B26-0
24								530B26-9
23								530B26-8
22								530B26-7
21								530B26-6
20								530B26-5
19								530B26-4
18								530B26-3
17								530B26-2
16								530B26-1
15								530B26-0
14								530B26-9
13								530B26-8
12								530B26-7
11								530B26-6
10								530B26-5
9								530B26-4
8								530B26-3
7								530B26-2
6								530B26-1
5								530B26-0
4								530B26-9
3								530B26-8
2								530B26-7
1								530B26-6

DO NOT SCALE PRINT, UNLESS SPECIFIED	DR 10/22/81	R. SHREVE/ATA	AMP Incorporated
DIMENSIONS IN mm (INCHES)	CHK 8-10-92	J. DORR/ATD	Harrisburg, PA 17105-3608
TOLERANCES ON:	APPD 8-10-92	1.0/0.004210	
2 PLG DEC ± .013 (0.005)	APPD 8-10-92	M. HANNA	
3 PLG DEC ± .013 (0.005)	PRODUCT SPEC	108-9039	
INCHES ± .005	FINISH CONTACT: △△△△	APPLICATION SPEC	
		SIZE	CAGE CODE
		Ø	00779
		SCALE	4:1
		DRAWING NO	530826
		SHEET	1 OF 1



CUSTOMER DRAWING