

4

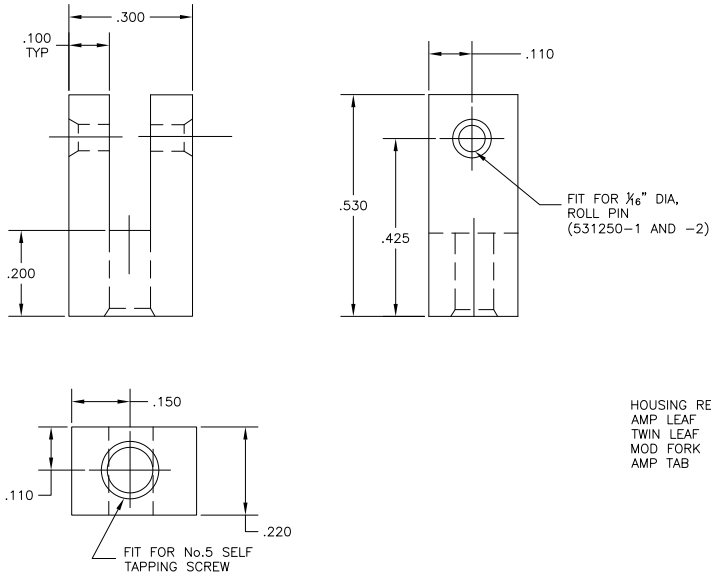
3

2

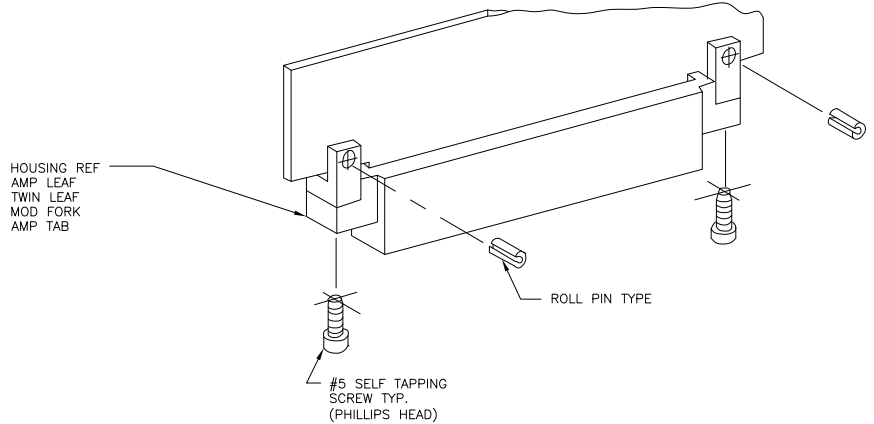
1

THIS DRAWING IS UNPUBLISHED. RELEASED FOR PUBLICATION
 © COPYRIGHT BY TYCO ELECTRONICS CORPORATION. ALL INTERNATIONAL RIGHTS RESERVED.

LOC		DIBT		REVISIONS			
P	LTR	DESCRIPTION	DATE	BY	APP'D		
H		REVISED PER ECO-09-004905	02MAR09	HMR	MM		



- SUPERSEDED Δ 531250-1 KIT INCLUDES: 2=531250-2, 2=SCREWS #5 X 3/16", 2=ROLL PINS 1/16" X 1/4"
- Δ 531250-2 AS SHOWN (BOARD RETAINER ONLY)
- OBSOLETE Δ 530250-3 KIT: SAME AS 530250-2 EXCEPT HOLE DIA IS .125 IN PLACE OF FIT FOR 1/16" ROLL PIN
- SUPERSEDED Δ 530250-4 KIT INCLUDES: 2=531250-2, 2=SCREWS #5 X 3/16", 2=ROLL PINS 1/16" X 1/4"
- Δ 5-530250-4 KIT (LEAD FREE) INCLUDES: 2=531250-2, 2 SCREWS #5 X 3/16", 2=ROLL PINS 1/16" X 1/4"



SUPERSEDED BY 5-531250-4	Δ 5	5-531250-4
	Δ 4	531250-4
OBSOLETE	Δ 3	531250-3
	Δ 2	531250-2
SUPERSEDED BY 5-531250-4	Δ 1	531250-1
		DESCRIPTION PART NO

THIS DRAWING IS A CONTROLLED DOCUMENT. DWG: A.M. SHARPE 11JULY78

TYCO Electronics Corporation
 Harrisburg, PA 17105-3608

NAME: SACILLA
 PRODUCT SPEC: SACILLA
 APPLICATION SPEC: ---
 HEIGHT: ---

SIZE: A2
 CASE CODE: 00779
 DRAWING NO: C=531250

MATERIAL: NYLON
 FINISH: ---

CUSTOMER DRAWING
 SCALE: 6:1
 SHEET: 1 of 1
 REV: H

531250

A