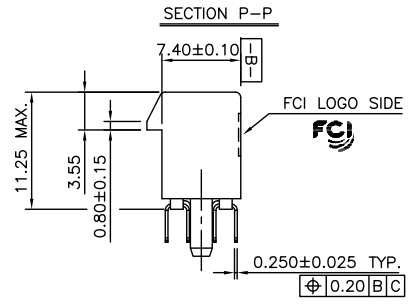
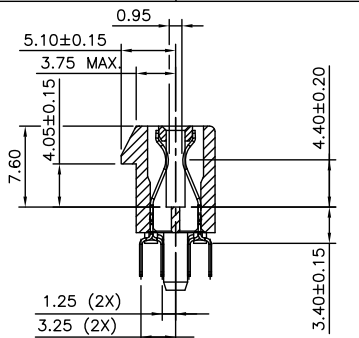
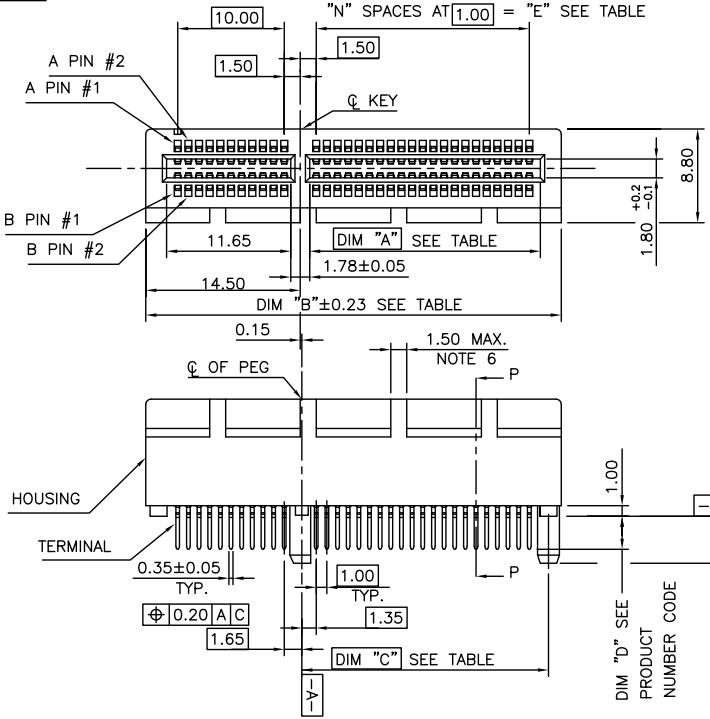
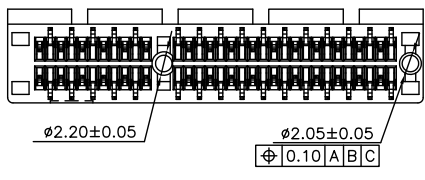


Tous droits strictement réservés. Reproduction ou communication à des fins
 interdites sous quelque forme que de soit sans autorisation écrite du propriétaire.
 Property of FCI. Copyright FCI. Droits de reproduction FCI.

PRODUCT NO.
 10018783-X0XXXX



TWIN PLASTIC PEG TYPE



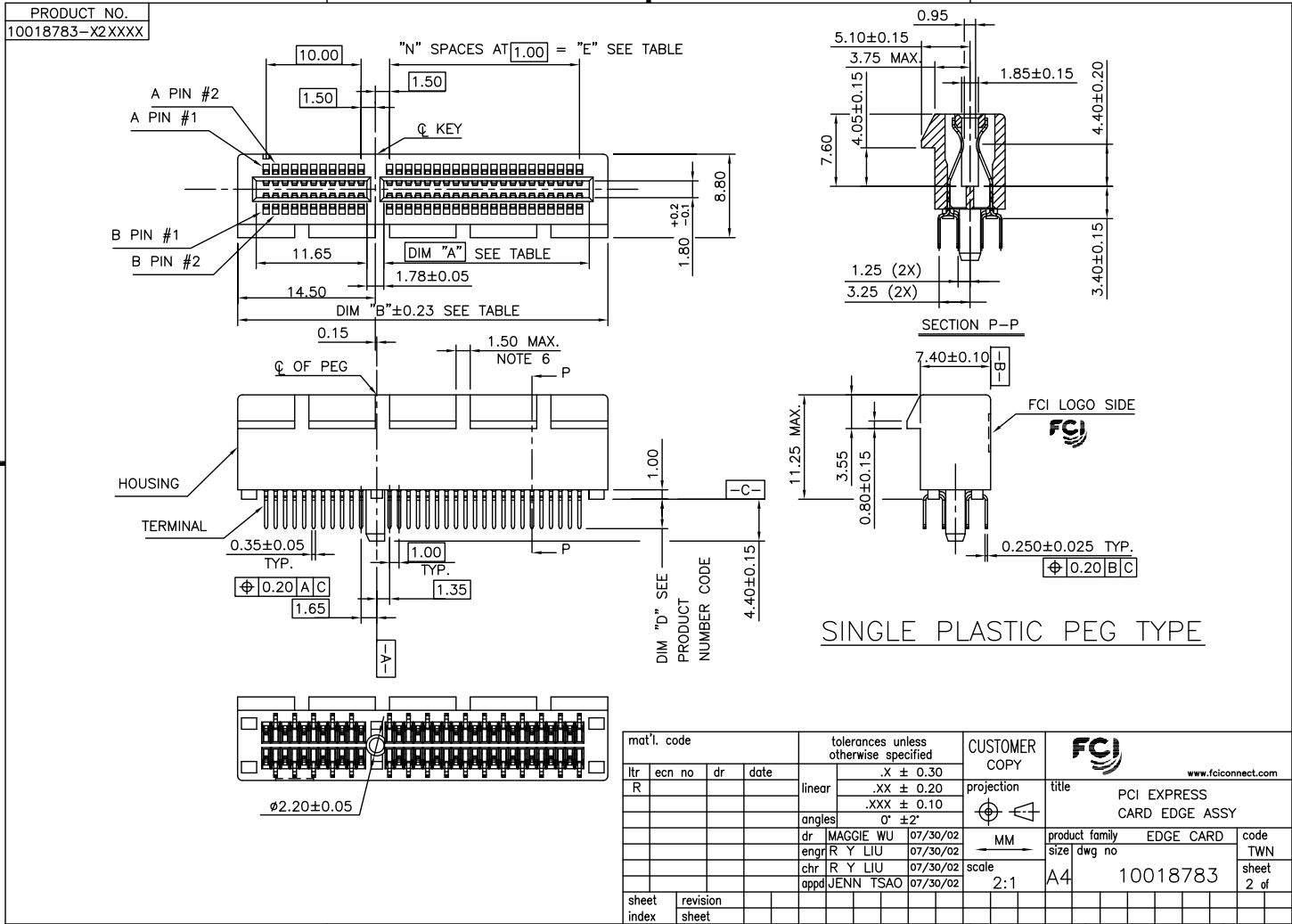
mat'l. code				tolerances unless otherwise specified		CUSTOMER COPY		FCI	
lrr	ecn no	dr	date	linear	.X ± 0.30	projection	title	www.fciconnect.com	
M	T05-0071	M W	04/06/05		.XX ± 0.20	MM	PCI EXPRESS CARD EDGE ASSY	product family	EDGE CARD
N	T05-0105	M W	05/11/05	angles	.XXX ± 0.10			size	dwg no
P	T05-0124	M W	06/07/05		0° ±2°	scale	2:1	A4	10018783
R	T05-0129	M W	06/13/05	dr	MAGGIE WU	07/30/02			
S	T05-0153	M W	07/12/05	engr	R Y LIU	07/30/02			
T	T05-0208	M W	09/15/05	chr	R Y LIU	07/30/02			
U	T10-0007	J H	1/20/10	appd	JENN TSAO	07/30/02			
sheet index	revision sheet	U	R	T	R	R	U	U	
		1	2	3	4	5	6	7	

ACAD PDM: Rev:U STATUS Released cage code 22526 Printed: Jun 28, 2010

Tous droits strictement réservés. Reproduction ou communication à des fins autres qu'interne sans autorisation écrite du propriétaire. Property of FCI. Droits de reproduction FCI.



All rights strictly reserved. Reproduction or issue to third parties in any form whatsoever is not permitted without written authority from the proprietor. Property of FCI. Copyright FCI.



mat'l. code		tolerances unless otherwise specified		CUSTOMER COPY		FCI	
lrr	ecn no	dr	date	linear	.X ± 0.30	projection	title
R					.XX ± 0.20		PCI EXPRESS CARD EDGE ASSY
				angles	.XXX ± 0.10		
				dr	0° ±2'	MM	code
				engr		scale	TWN
				chr	MAGGIE WU 07/30/02	2:1	sheet
				appd	R Y LIU 07/30/02	A4	2 of
sheet index	revision sheet				JENN TSAO 07/30/02		

ACAD

PDM: Rev:U

STATUS: Released

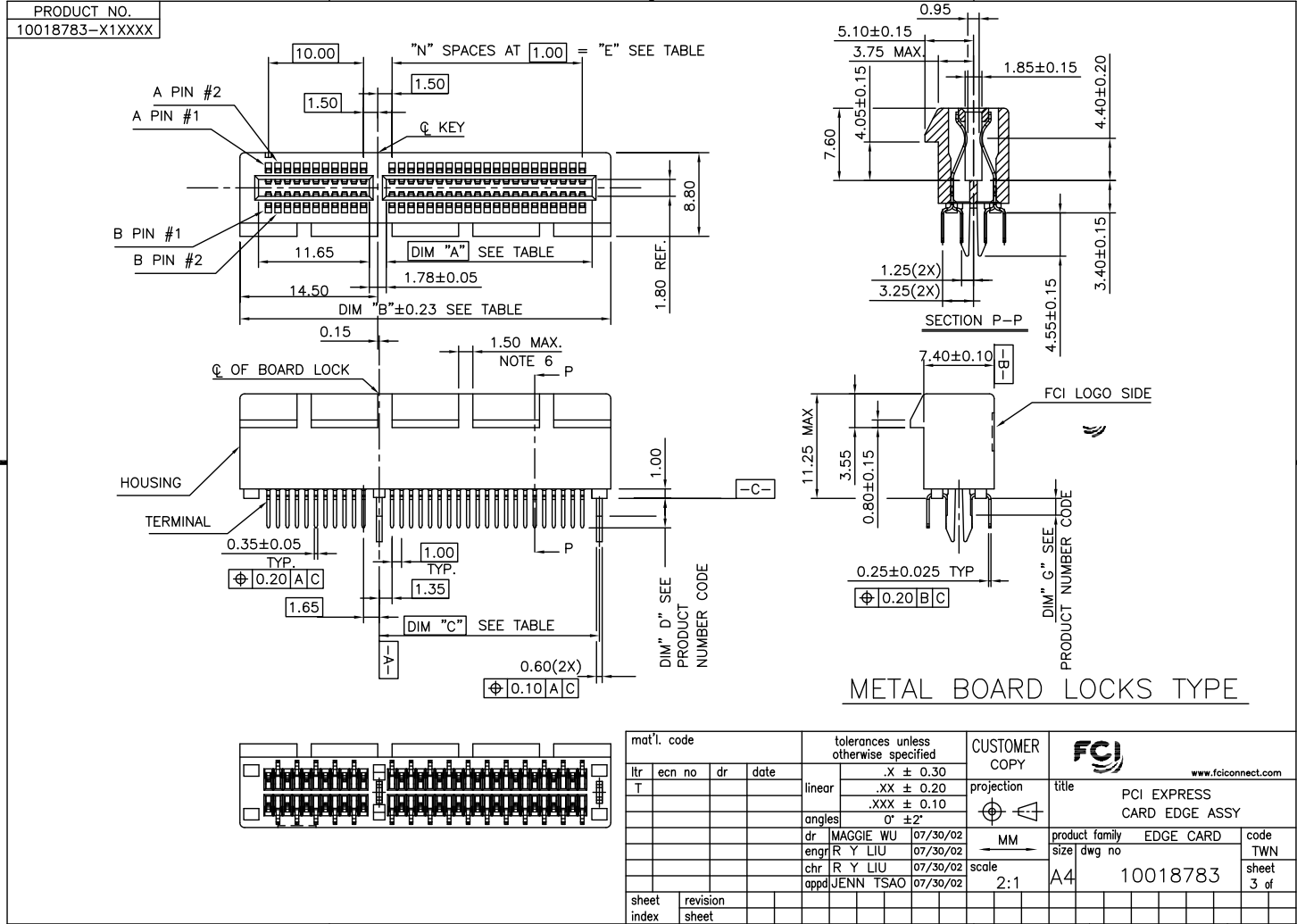
cage code 22526

Printed: Jun 28, 2010

Tous droits strictement réservés. Reproduction ou communication à des fins
 interdites sous quelque forme que ce soit sans autorisation écrite du propriétaire.
 Property of FCI. Copyright FCI. Droits de reproduction FCI.



All rights strictly reserved. Reproduction or issue to third parties in any
 form whatever is not permitted without written authority from the proprietor.
 Property of FCI. Copyright FCI.

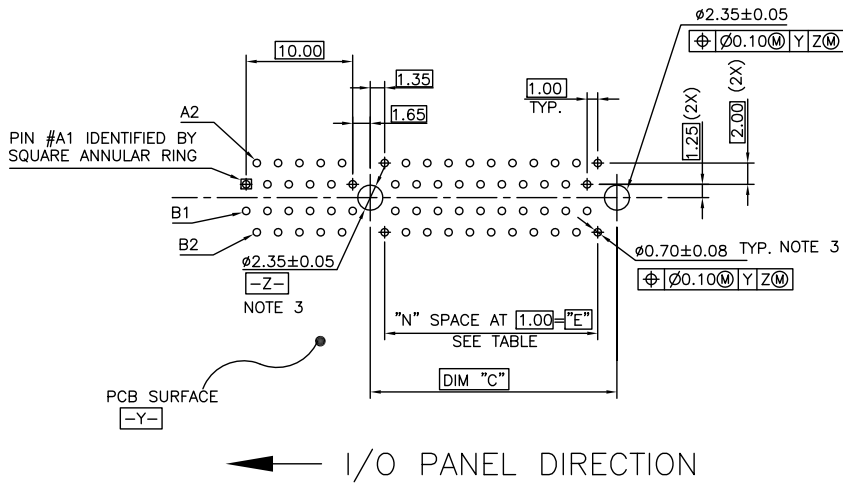


mat'l. code		tolerances unless otherwise specified		CUSTOMER COPY		FCI www.fciconnect.com		
ltr	ecn no	dr	date	linear	.X ± 0.30	projection	title	
T					.XX ± 0.20		PCI EXPRESS CARD EDGE ASSY	
				angles	.XXX ± 0.10		product family	EDGE CARD
				dr	0° ±2'	MM	size	dwg no
				engr	MAGGIE WU 07/30/02	scale	A4	10018783
				chr	R Y LIU 07/30/02	2:1		code
				appd	JENN TSAO 07/30/02			TWN
sheet index	revision sheet							sheet 3 of
							cage code	
							22526	

Tous droits strictement réservés. Reproduction ou communication e des plans interdits sous quelque forme que ce soit sans autorisation écrite du propriétaire. Property of FCI. Droits de reproduction FCI.



All rights strictly reserved. Reproduction or issue to third parties in any form whatever is not permitted without written authority from the proprietor. Property of FCI. Copyright FCI.



RECOMMENDED FOOTPRINT

mat'l. code		tolerances unless otherwise specified		CUSTOMER COPY	FCI www.fciconnect.com		
lfr	ecn no	dr	date	linear	projection	title	
R				.X ±		PCI EXPRESS CARD EDGE ASS'Y	
				.XX ±		product family	EDGE CARD
				.XXX ±	MM	size	dwg no
				angles		0° ±2°	A4
				dr	MAGGIE WU	07/30/02	code
				engr	R Y LIU	07/30/02	TWN
				chr	R Y LIU	07/30/02	sheet
				appd	JENN TSAO	07/30/02	4 of
sheet index	revision sheet						

AC.AD

PDM: Rev:U

STATUS: Released

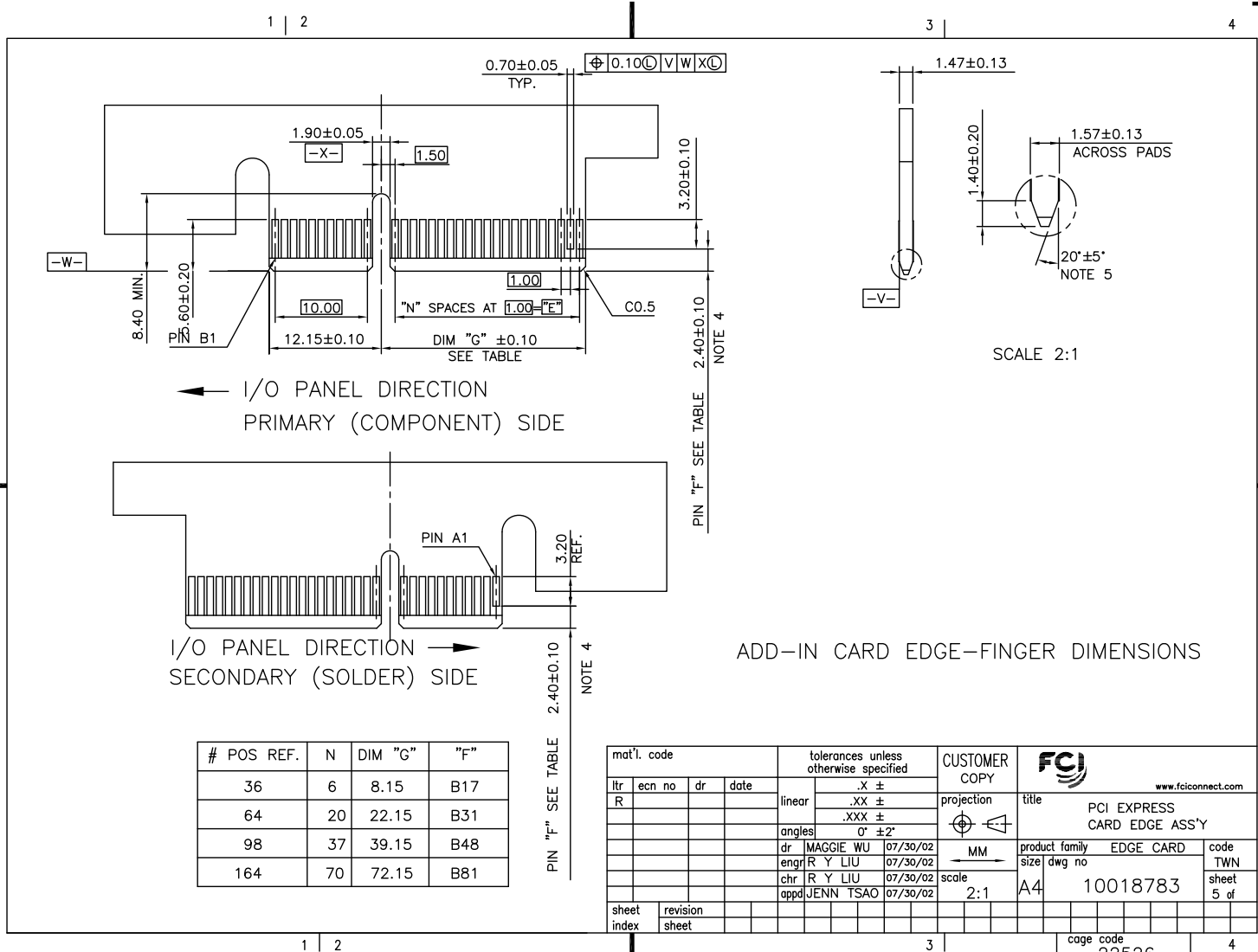
cage code
22526

Printed: Jun 28, 2010

Tous droits strictement réservés. Reproduction ou communication à des fins
interdit sans autorisation écrite du propriétaire.
Property of FCI. Copyright FCI. Droits de reproduction FCI.



All rights strictly reserved. Reproduction or issue to third parties in any
form whatsoever is not permitted without written authority from the proprietor.
Property of FCI. Copyright FCI.



mat'l. code				tolerances unless otherwise specified		CUSTOMER COPY		FCI www.fciconnect.com		
ltr	ecn no	dr	date	linear	.X ±	projection	title	PCI EXPRESS CARD EDGE ASS'Y		
R					.XX ±	[Symbol]	product family		EDGE CARD	
				angles	.XXX ±		size		dwg no	code
					0° ±2°	MM	A4		10018783	TWN
				dr	MAGGIE WU 07/30/02	scale	2:1		5 of	
				engr	R Y LIU 07/30/02					
				chr	R Y LIU 07/30/02					
				appd	JENN TSAO 07/30/02					
sheet index	revision sheet									

NOTES:

1.MATERIAL:

HOUSING: HIGH TEMPERATURE NYLON, GLASS FILLED UL94V-0 RATED.
TERMINAL: COPPER ALLOY.

PLATING: 50u" NICKEL UNDERPLATE ALL OVER
CONTACT AREA PLATING - SEE PRODUCT NUMBER CODE
SOLDER TAIL: TIN OR TIN /LEAD(90/10)- SEE PRODUCT NUMBER CODE 100u" MIN. OVER 50u" NICKEL.

METAL BOARD LOCKS: COPPER ALLOY.
FINISH: 100u" TIN OR TIN/LEAD(90/10) OVER 50u" NICKEL
UNDERPLATE SEE PRODUCT NUMBER CODE.

2.PRODUCT SPECIFICATION: GS-12-233.

③THE HORIZONTAL AXIS FOR THE HOLE PATTERN IS ESTABLISHED BY A LINE THROUGH THE CENTER OF THE TWO #2.35 HOLES.
THE VERTICAL AXIS IS 90° TO THE HORIZONTAL AXIS, THROUGH THE CENTER OF DATUM Z.

④NO TIE BAR PERMITTED FROM CARD EDGE TO LEADING EDGE OF PAD FOR PINS A1 AND PIN NUMBERS "F".

⑤CHAMFER EDGES MUST BE FREE OF CUTTING BURRS.

⑥FREQUENCY & LOCATION AT SUPPLIER DISCRETION. RIDGE MAY BE CONTINUOUS WITH NO BREAKS.

7.RoHS COMPATIBLE PRODUCT SPECIFICATIONS:

a - PLATING:

- "LF" MEANS THE PRODUCT IS LEAD-FREE, 2um MINIMUM MATTE TIN OVER 1.27um MINIMUM NICKEL UNDERPLATE.

b - MANUFACTURING PROCESS COMPATIBILITY:

- THE HOUSING WILL WITHSTAND EXPOSURE TO 260°C±5°C TEMPERATURE FOR 10 SECONDS IN RE-FLOW APPLICATION, REFER TO GS-14-858 FOR OPERATING.

PRODUCT NUMBER CODE

10018783 -x x x x x x x x

LEAD FREE OPTION

LEAVE BLANK FOR TERMINAL PLATING 3,4,5
"LF" FOR TERMINAL PLATING OPTION 0,1,2

HOUSING COLOR OPTIONS

0-NATURAL

1-BLACK

PEGS OPTIONS

0-PLASTIC PEGS

1-METAL BOARD LOCKS

2-SINGLE PLASTIC PEGS

POS OPTIONS

0-36

1-64

2-98

3-164

TERMINAL PLATING OPTIONS

0-50u" Ni UNDERPLATE

30u" Au CONTACT AREA

100u" TIN TAIL AREA ----- COMPATIBLE RoHS

1-50u" Ni UNDERPLATE

15u" Au CONTACT AREA

100u" TIN TAIL AREA ----- COMPATIBLE RoHS

2-50u" Ni UNDERPLATE

GOLD FLASH CONTACT AREA

100u" TIN TAIL AREA ----- COMPATIBLE RoHS

3-50u" Ni UNDERPLATE

30u" Au CONTACT AREA

100u" TIN/LEAD TAIL AREA ----- INCOMPLIANT RoHS

4-50u" Ni UNDERPLATE

15u" Au CONTACT AREA

100u" TIN/LEAD TAIL AREA ----- INCOMPLIANT RoHS

5-50u" Ni UNDERPLATE

GOLD FLASH CONTACT AREA

100u" TIN/LEAD TAIL AREA ----- INCOMPLIANT RoHS

CONNECTOR	# POS REF.	N	DIM "A"	DIM "B"	DIM "C"	"E"
1 PORT	36	6	7.65	25.00	9.15	6.00
4 PORT	64	20	21.65	39.00	23.15	20.00
8 PORT	98	37	38.65	56.00	40.15	37.00
16 PORT	164	70	71.65	89.00	73.15	70.00

PACKAGING OPTIONS

T-SOFT TRAY PACKAGING

M-SOFT TRAY PACKAGING & MYLAR TAPE. SEE FIGULE 1

Y-HARD TRAY PACKAGING (FOR 164P ONLY)

Z-HARD TRAY PACKAGING WITH MYLAR (FOR 164P ONLY)

TAIL LENGTH OPTIONS

	DIM "D"	PCB THICKNESS	BOARD LOCKS DIM "G"
0	2.30 ^{+0.25} _{-0.13}	1.56±0.10	1.70±0.15
1	3.10 ^{+0.25} _{-0.13}	2.36±0.10	2.50±0.15
2	2.54±0.25	1.56±0.10	1.70±0.15
3	1.90±0.25	1.56±0.10	1.70±0.15

mat'l. code		tolerances unless otherwise specified		CUSTOMER COPY		FCI www.fciconnect.com	
ltr	ecn no	dr	date	linear	.X ±	projection	title
U					.XX ±		PCI EXPRESS CARD EDGE ASS'Y
				angles	.XXX ±		
					0' ±2'		product family EDGE CARD
				dr	MAGGIE WU 07/30/02		
				engr	R Y LIU 07/30/02	scale	size A4
				chr	R Y LIU 07/30/02	1:1	10018783
				appd	JENN TSAO 07/30/02		code TWN
sheet index	revision sheet						sheet 6 of

ACAD

PDM: Rev:U

STATUS: Released

cage code

22526

Printed: Jun 28, 2010



Tous droits strictement réservés. Reproduction ou communication à des fins
 interdites sous quelque forme que ce soit sans autorisation écrite du propriétaire.
 Property of FCI. Copyright FCI. Droits de reproduction FCI.



All rights strictly reserved. Reproduction or issue to third parties in any
 form whatsoever is not permitted without written authority from the proprietor.
 Property of FCI. Copyright FCI.

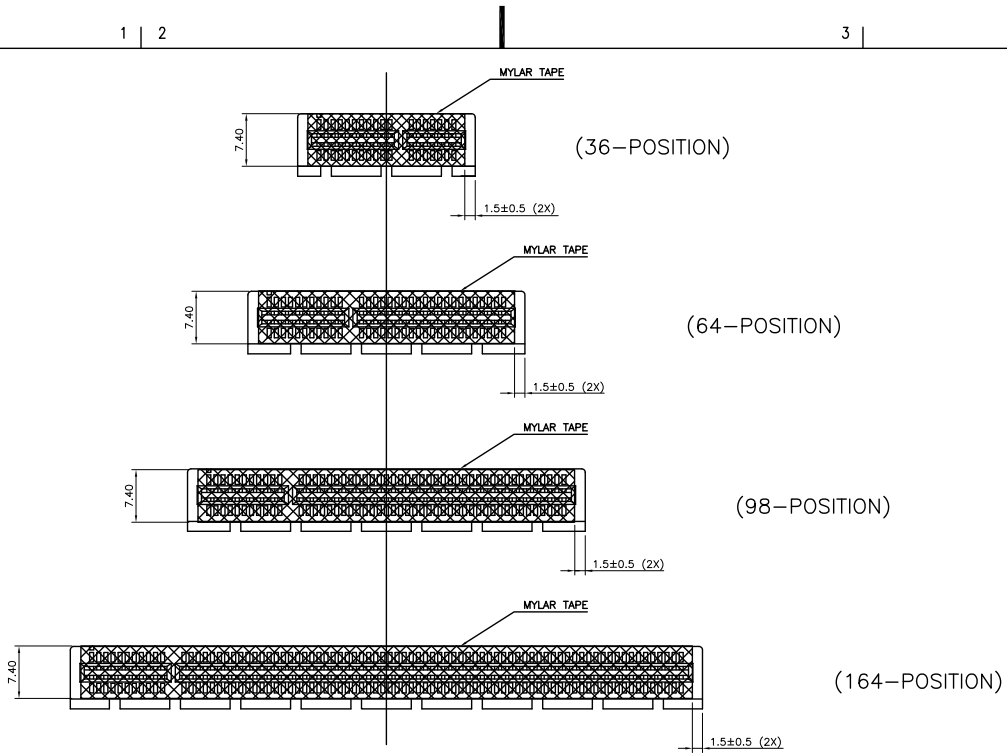


FIGURE 1

mat'l. code		tolerances unless otherwise specified		CUSTOMER COPY		FCI www.fciconnect.com	
lfr	ecn no	dr	date	linear	.X ± 0.25	projection	title
U					.XX ± 0.13		PCI EXPRESS CARD EDGE ASS'Y
				angles	.XXX ± 0.05		
				dr	0° ± 2'	MM	product family
				engr	MAGGIE WU 06/07/05	scale	EDGE CARD
				chr	R Y LIU 06/07/05	1.5:1	size
				appd	JENN TSAO 06/07/05	A4	dwg no
sheet index	revision sheet						10018783
							code
							TWN
							sheet
							7 of

ACAD

PDM: Rev:U

STATUS: Released

cage code
22526

Printed: Jun 28, 2010