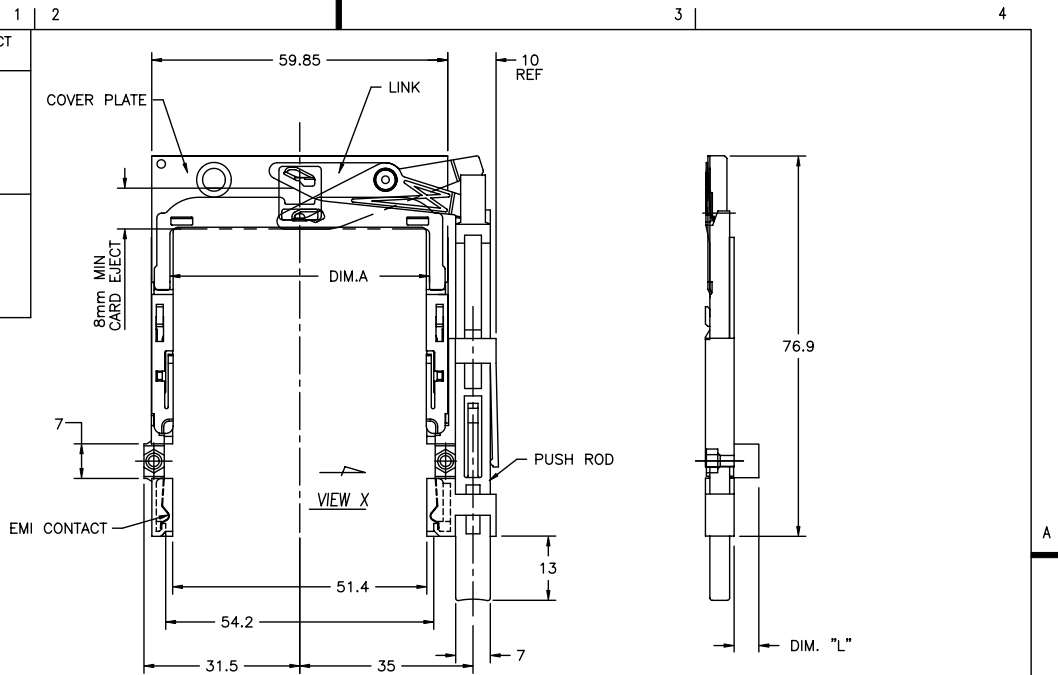


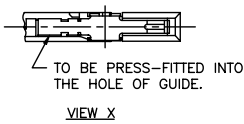
Tous droits strictement réservés. Reproduction ou communication à des tiers interdite sous quelque forme que ce soit sans autorisation écrite du propriétaire. Property of FCI. Droits de reproduction FCI.

All rights strictly reserved. Reproduction or issue to third parties in any form whatsoever is not permitted without written authority from the proprietor. Property of FCI. Copyright FCI.

PRODUCT NUMBER	STAND-OFF DIM. "L"	CARD EJECT DIM.A
94613-00CA	0	52.5
94613-02CA	2	
94613-022CA	2.2	
94613-04CA	4	
94613-043CA	4.3	
94613-05CA	5	50.0
94613-00CA-V	0	
94613-02CA-V	2	
94613-022CA-V	2.2	
94613-04CA-V	4	
94613-043CA-V	4.3	
94613-05CA-V	5	



- 4.0 NOTES:
- EJECT PLATE MOVE ALONG INSIDE WALL OF COVER PLATE SMOOTHLY AFTER ASSEMBLING WITH HEADER ASSY.
 - MATERIAL:
PLASTIC: GUIDE: POLYPHTHARAMIDE UL94V-0 BLACK
PLATE: STAINLESS
EMI CONTACT: PHOSPHOR BRONZE
 - SEE TA-946 FOR RECOMMENDED PCB LAYOUT.



mat'l. code		tolerances unless otherwise specified		CUSTOMER COPY		Electronics FCI	
ltr	ecn no	dr	date	linear	projection	title	
A	V40812	RDS	4/29/94	.XX ±.3		68P EXT. EJECTOR HEADER TYPE 123 MECHANISM ASS'Y.	
B	V40988	RDS	6/13/94	.XXX ±0.13		product family MCS code -	
C	V41214	SSD	8/11/94	angles .XXX ±0.051		size dwg no	
D	V41259	RDS	12/9/94	0° ±2'		94613	
E	V00479	RGD	2/21/00	D.SHEAFFER 4/15/94	scale 2:1	sheet 1 of 2	
F	V03-0518	WL	05/29/03	engr D.BRANN 4/15/94		code -	
G	T04-0169	WL	04/19/04	chr D.BRANN 4/15/94		sheet 1 of 2	
sheet index	revision sheet	G	G				
		1	2				

ACAD

PDM: Rev:G

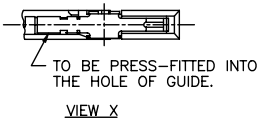
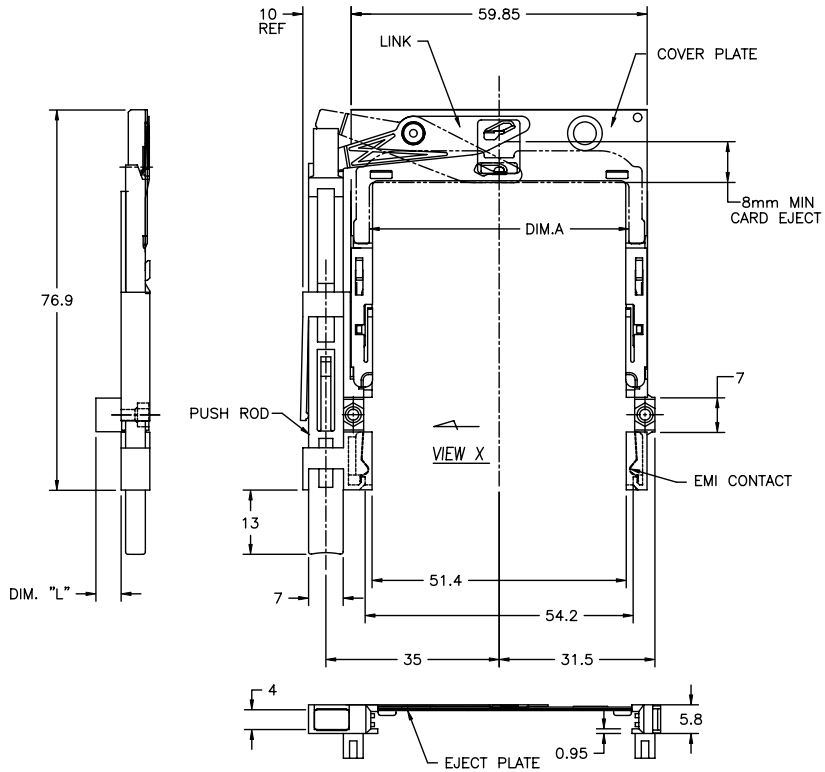
code code 22596
STAT 22596 Released

Printed: 01/12/2010

Tous droits strictement réservés. Reproduction ou communication à des tiers interdite sous quelque forme que ce soit sans autorisation écrite du propriétaire. Property of FCI. Droits de reproduction FCI.

All rights strictly reserved. Reproduction or issue to third parties in any form whatsoever is not permitted without written authority from the proprietor. Property of FCI. Copyright FCI.

PRODUCT NUMBER	STAND-OFF DIM. "L"	CARD EJECT DIM.A
94613-10CA	0	52.5
94613-12CA	2	
94613-122CA	2.2	
94613-14CA	4	
94613-143CA	4.3	
94613-15CA	5	50.0
94613-10CA-V	0	
94613-12CA-V	2	
94613-122CA-V	2.2	
94613-14CA-V	4	
94613-143CA-V	4.3	
94613-15CA-V	5	



NOTES:

- EJECT PLATE MOVE ALONG INSIDE WALL OF COVER PLATE SMOOTHLY AFTER ASSEMBLING WITH HEADER ASSY.
- MATERIAL:
PLASTIC: GUIDE: POLYPHTHARAMIDE UL94V-0 BLACK
PLATE: STAINLESS
EMI CONTACT: PHOSPHOR BRONZE
- SEE TA-946 FOR RECOMMENDED PCB LAYOUT.

mat'l. code		tolerances unless otherwise specified		CUSTOMER COPY		FCI Electronics www.fciconnect.com	
ltr	ecm no	dr	date	linear	projection	title	
G				.XX ±.3	MM	68P EXT. EJECTOR HEADER TYPE 123 MECHANISM ASS'Y.	
				.XXX ±0.13		product family MCS	
				angles	scale	size	
				0° ±2'		dwg no	
				dr D.SHEAFFER 4/15/94		94613	
				enqr D.BRANN 4/15/94		sheet 2 of	
				chr D.BRANN 4/15/94			
				appd D.BRANN 4/15/94			
sheet index	revision sheet						

1 | 2

ACAD

PDM: Rev:G

code code 22596
STAT 22596 Released

4

Printed: 01/12/2010